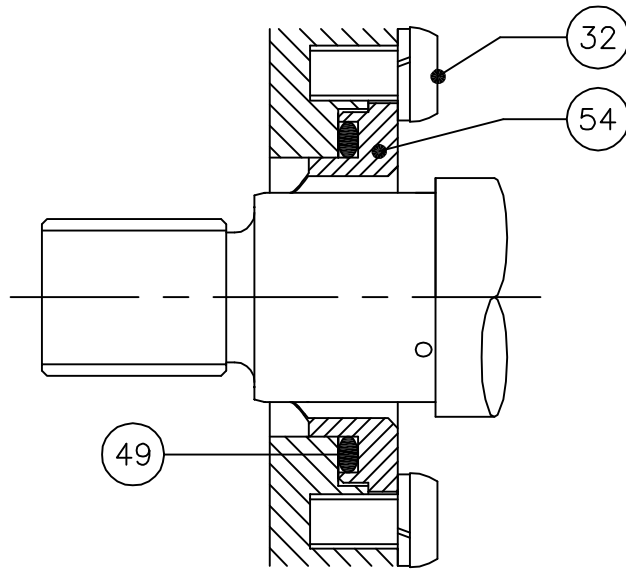
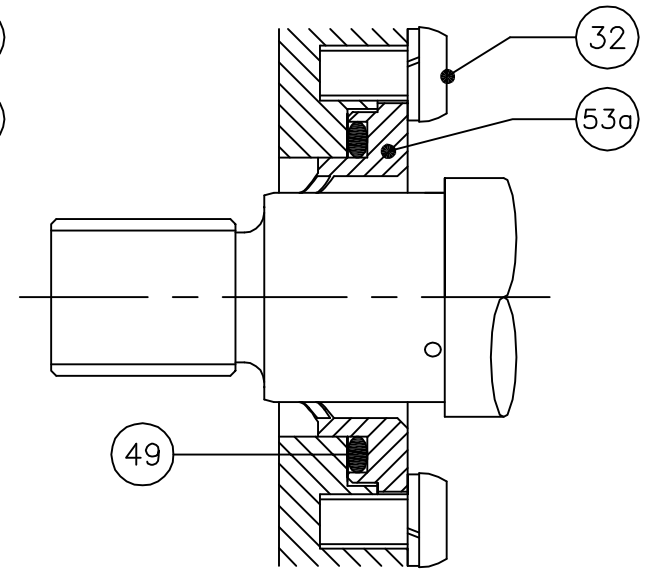


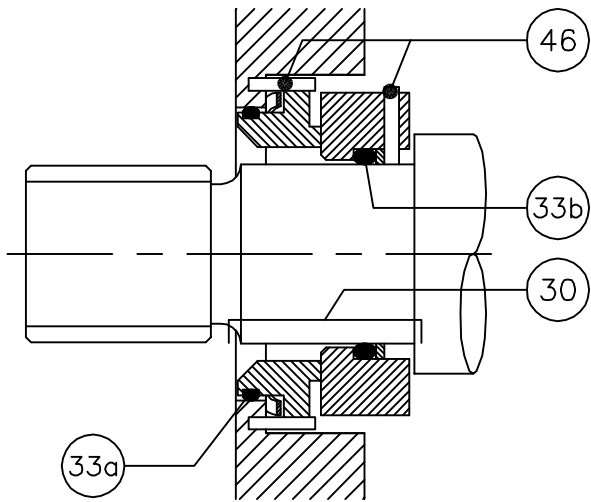
SINGLE O-RING SEAL



SINGLE O-LIP SEAL



DOUBLE O-LIP SEAL



SINGLE MECHANICAL SEAL

54	1	5106	SINGLE LIP SEAL CARTRIDGE
53a	1	5107	DOUBLE LIP SEAL CARTRIDGE
49	1	4216	O-RING
46	5	4601-2	DOWEL PIN SET
40	1	4204, 4213	SINGLE O-RING SEAL O-RING SET (40a,40b)
39	1	4901-1L	RETAINING RING
33	1	4205, 4206	SINGLE MECH. SEAL O-RING SET (33a,33b)
32	2	4301-2	BOLT
30	1	CALL FACTORY	SINGLE MECHANICAL SHAFT SEAL
NO.	PCS. PER SEAL	PART NO.	DESCRIPTION

THIS DRAWING AND ALL IDEAS INCORPORATED IN ITS DESIGN IS THE EXCLUSIVE PROPERTY OF UNIBLOC HYGIENIC TECHNOLOGIES, LLC. ITS ACCEPTANCE CONSTITUTES AN AGREEMENT THAT IT SHALL BE TREATED AS A CONFIDENTIAL DOCUMENT USED FOR NO OTHER PURPOSE THAN TO AID IN ITS CONSTRUCTION. THAT IT IS TO BE RETURNED UPON REQUEST, AND THAT IT IS NOT TO BE DISCLOSED OR COPIED EXCEPT AS AUTHORIZED IN WRITING BY UNIBLOC HYGIENIC TECHNOLOGIES, LLC.



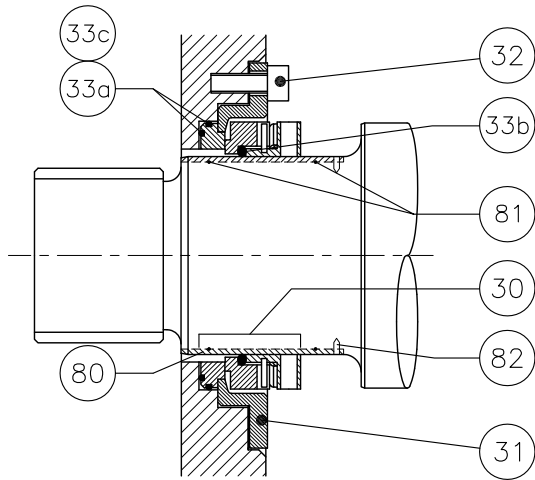
DWG. TITLE
**UNIBLOC-GP
SHAFT SEAL PARTS LIST**

	BY	DATE
DRAWN		
CHECKED		
APP'D		
SCALE	NONE	

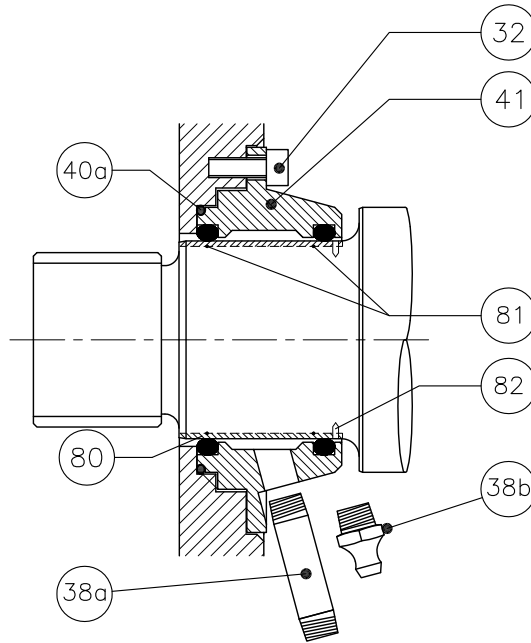
SIZE
200-275

DWG. NO.

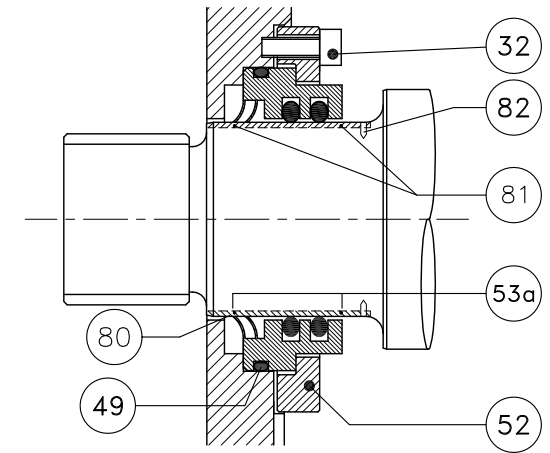
RELEASE DATE SHEET 1 OF 1



SINGLE MECHANICAL SEAL



DOUBLE O-RING SEAL



DOUBLE O-LIP SEAL

82	N/A	ANTI-ROTATION PIN
81	N/A	OPTIONAL SHAFT SLEEVE O-RING
80	N/A	OPTIONAL SHAFT SLEEVE
57	1	DOUBLE O-RING SEAL O-RING SET (40a,40b,40c)
53a	1	DOUBLE O-LIP SEAL CARTRIDGE
52	1	RETAINING RING
45	1	O-RING
41	1	FLUSH HOUSING
38b	2	FLUSH HOUSING NIPPLE
38a	2	FLUSH HOUSING PIPE TUBE
33	1	SINGLE MECH. SEAL O-RING SET (33a,33b,33c)
32	4	BOLT
31	1	RETAINER RING
30	1	SINGLE MECHANICAL SHAFT SEAL
NO.	PCS.	DESCRIPTION

THIS DRAWING AND ALL IDEAS INCORPORATED IN ITS DESIGN IS THE EXCLUSIVE PROPERTY OF UNIBLOC. HYGIENIC TECHNOLOGIES, LLC. ITS ACCEPTANCE CONSTITUTES AN AGREEMENT THAT IT SHALL BE TREATED AS A CONFIDENTIAL DOCUMENT USED FOR NO OTHER PURPOSE THAN TO AID IN ITS CONSTRUCTION; THAT IT IS TO BE RETURNED UPON REQUEST, AND THAT IT IS NOT TO BE DISCLOSED OR COPIED EXCEPT AS AUTHORIZED IN WRITING BY UNIBLOC HYGIENIC TECHNOLOGIES, LLC.

	BY	DATE
DRAWN		
CHECKED		
APP'D		
SCALE	NONE	
ALL DIMENSIONS IN MM		

DWG. TITLE		UNIBLOC-GP SHAFT SEAL PARTS LIST	
SIZE	300-375	DWG. NO.	
RELEASE DATE		SHEET	1 OF 1

UNIBLOC
Hygienic Technologies