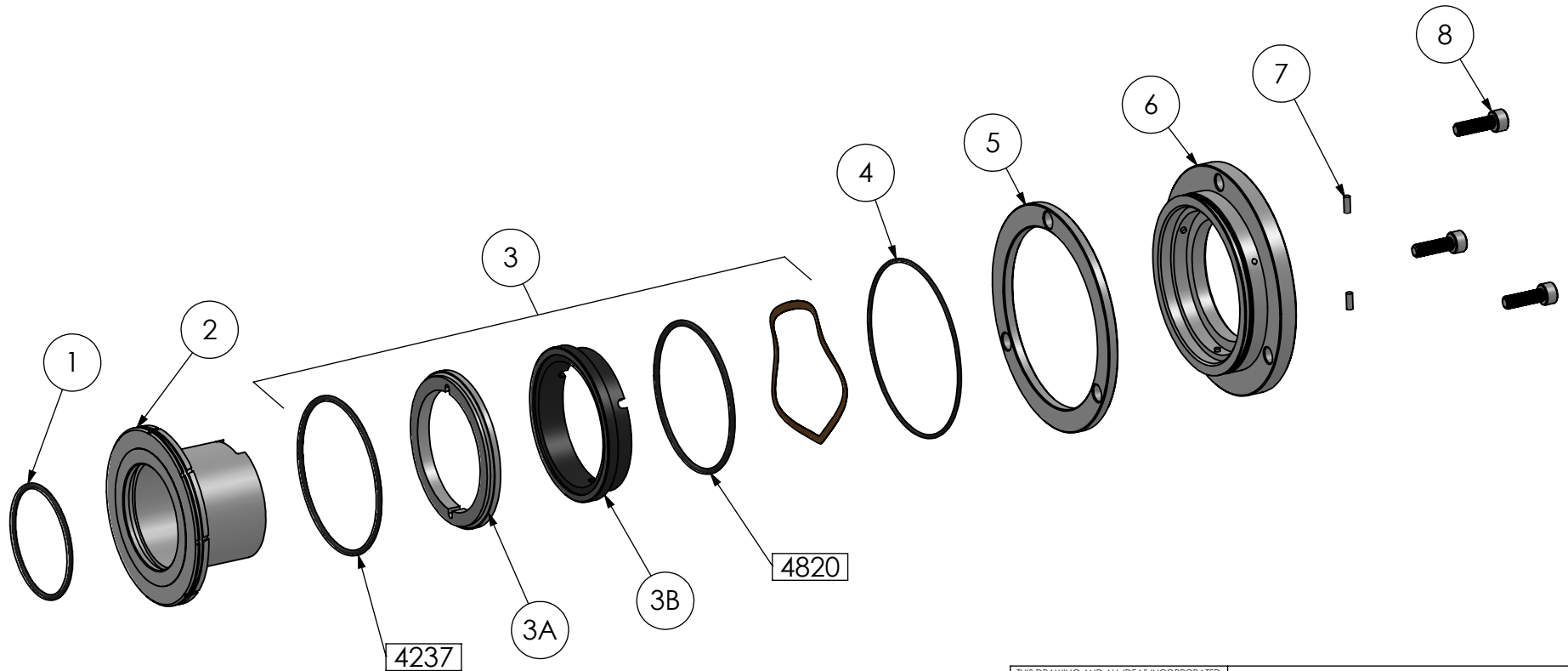


SINGLE MECHANICAL SEAL

ITEM NO.	PART NO.	DESCRIPTION	QTY.
1	4225	O-RING	1
2	4939F	SINGLE MECHANICAL SHAFT SLEEVE	1
3	REFERENCE TABLE 2	SINGLE MECHANICAL SHAFT SLEEVE FACE KIT	1
4	4234	O-RING	1
5	SPCR4938A-2	SPACER	1
6	4938A-2	SINGLE MECHANICAL RETAINER RING	1
7	DPM3x8	M3x8 PIN (SHAFT)	2
8	SBM6x20	M6x20 SOCKET BOLT	3

TABLE 2

KIT NO.	ITEM NO.	DESCRIPTION
5165-KIT	3A	ROTATING SEAL FACE: STAINLESS
	3B	STATIONARY SEAL FACE: CARBON
5166-KIT	3A	ROTATING SEAL FACE: TUNGSTEN CARBIDE
	3B	STATIONARY SEAL FACE: SILICON CARBIDE
5167-KIT	3A	ROTATING SEAL FACE: SILICON CARBIDE
	3B	STATIONARY SEAL FACE: SILICON CARBIDE
5168-KIT	3A	ROTATING SEAL FACE: TUNGSTEN CARBIDE
	3B	STATIONARY SEAL FACE: TUNGSTEN CARBIDE



THIS DRAWING AND ALL IDEAS INCORPORATED IN ITS DESIGN IS THE EXCLUSIVE PROPERTY OF UNIBLOC PUMP, LLC. ITS ACCEPTANCE CONSTITUTES AN AGREEMENT THAT IT SHALL BE TREATED AS A CONFIDENTIAL DOCUMENT USED FOR NO OTHER PURPOSE THAN TO AID IN ITS CONSTRUCTION, THAT IT IS TO BE RETURNED UPON REQUEST, AND THAT IT IS NOT TO BE DISCLOSED OR COPIED EXCEPT AS AUTHORIZED IN WRITING BY UNIBLOC PUMP, LLC.

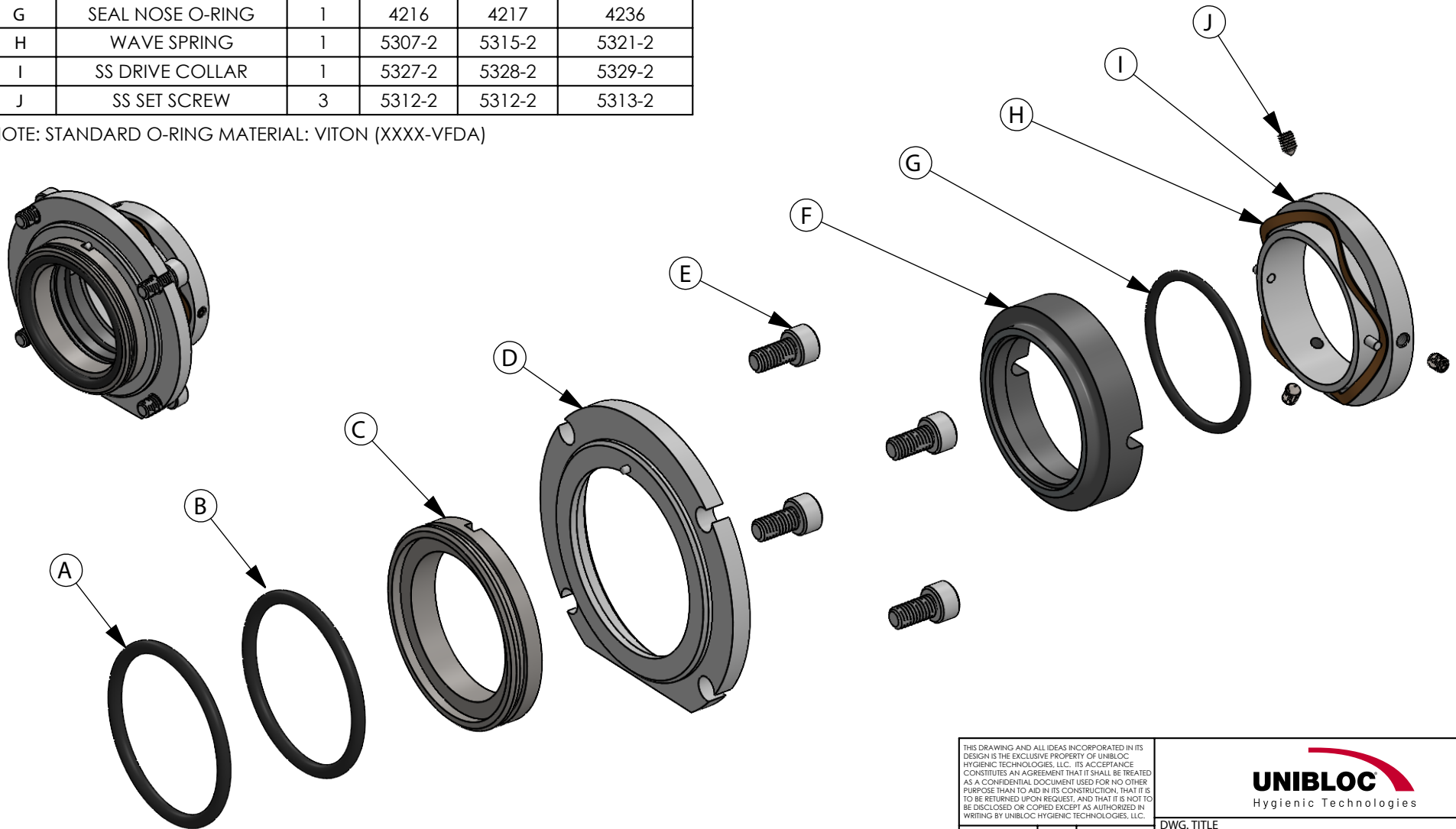


	BY	DATE
DRAWN	JPZ	4/19/22
CHECKED		
APP'D		
SCALE		

DWG. TITLE		
FRONT LOAD SINGLE MECH. SEAL PARTS		
SIZE	DWG. NO.	REV. NO.
PD500	G812B	4
RELEASE DATE	APRIL 18, 2022	
SHEET 1 OF 2		

ITEM	DESCRIPTION	QTY.	PART NUMBER		
			300/350	400/450	500/550/575
A	MATING O-RING	1	4822	4823	4824
B	MATING O-RING	1	4222	4228A	4237
C	MATING RING	1	---	---	---
D	SS RETAINING RING	1	4910-2	4920-2	4930-2
E	SS BOLT	4	SBM6x12	SBM6x12	SBM6x12
F	SIC SEAL NOSE RING	1	---	---	---
G	SEAL NOSE O-RING	1	4216	4217	4236
H	WAVE SPRING	1	5307-2	5315-2	5321-2
I	SS DRIVE COLLAR	1	5327-2	5328-2	5329-2
J	SS SET SCREW	3	5312-2	5312-2	5313-2

NOTE: STANDARD O-RING MATERIAL: VITON (XXXX-VFDA)

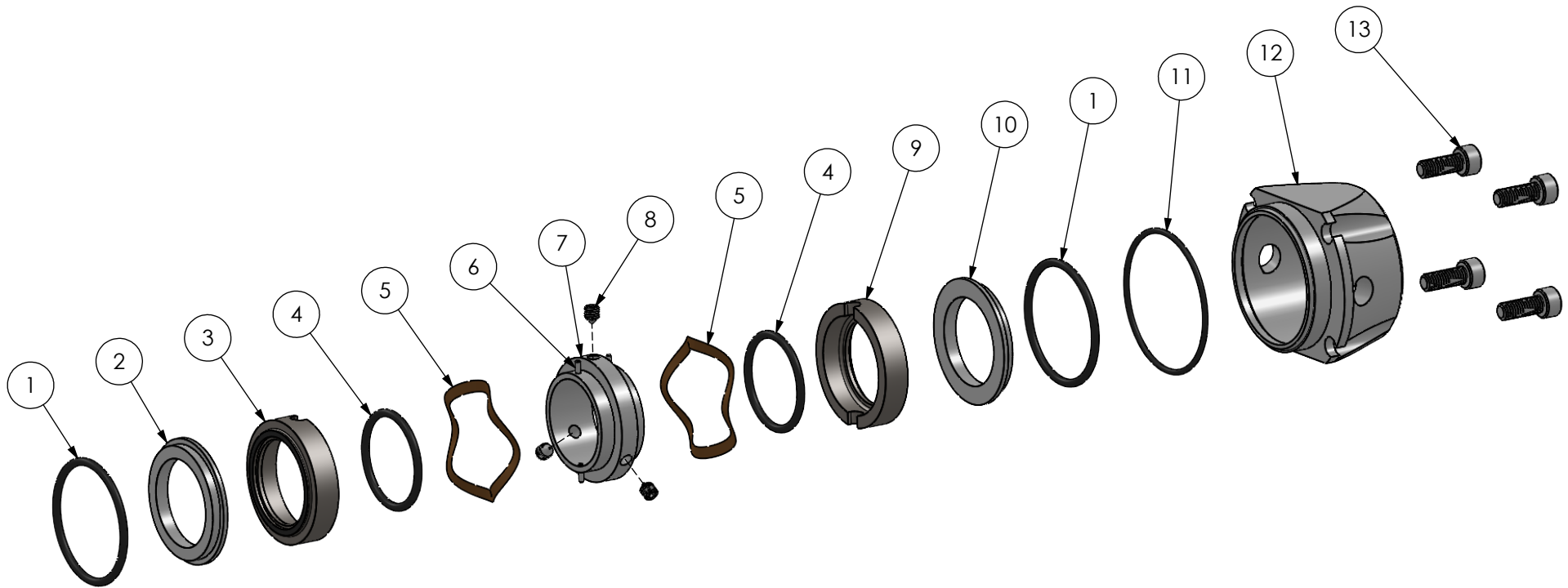


THIS DRAWING AND ALL IDEAS INCORPORATED IN ITS DESIGN IS THE EXCLUSIVE PROPERTY OF UNIBLOC HYGIENIC TECHNOLOGIES, LLC. ITS ACCEPTANCE CONSTITUTES AN AGREEMENT THAT IT SHALL BE TREATED AS A CONFIDENTIAL DOCUMENT USED FOR NO OTHER PURPOSE THAN TO AID IN ITS CONSTRUCTION, THAT IT IS TO BE RETURNED UPON REQUEST, AND THAT IT IS NOT TO BE DISCLOSED OR COPIED EXCEPT AS AUTHORIZED IN WRITING BY UNIBLOC HYGIENIC TECHNOLOGIES, LLC.



DRAWN	BY	DATE
CHECKED	DA	8/25/14
APP'D		
SCALE		

DWG. TITLE		
SINGLE MECHANICAL SEAL		
SIZE	DWG. NO.	REV. NO.
300/400/500	5120A-64A	2
RELEASE DATE	SHEET 1 OF 2	
MAY 21, 2021		



DOUBLE MECHANICAL SEAL COMPONENTS
(P.N. 5220)

ITEM	DESCRIPTION	PART NO.	QTY.
1	O-RING	4217	2
2	316SS MATING RING (PRIMARY)	-	1
3	CARBON SEAL NOSE RING (PRIMARY)	-	1
4	O-RING	4216	2
5	WAVE SPRING	-	2
6	SS DRIVE PIN	-	4
7	SS DRIVE COLLAR	-	1
8	SS SET SCREW	-	3
9	CARBON SEAL NOSE RING (SECONDARY)	-	1
10	316SS MATING RING (SECONDARY)	-	1
11	O-RING	4214	1
12	FLUSH HOUSING	4911	1
13	SS BOLT	SBM6x12	4

DOUBLE MECHANICAL SEAL COMPONENTS
(P.N. 5221)

ITEM	DESCRIPTION	PART NO.	QTY.
1	O-RING	4217	2
2	TUNGSTEN CARBIDE MATING RING (PRIMARY)	-	1
3	SILICON CARBIDE NOSE RING (PRIMARY)	-	1
4	O-RING	4216	2
5	WAVE SPRING	-	2
6	SS DRIVE PIN	-	4
7	SS DRIVE COLLAR	-	1
8	SS SET SCREW	-	3
9	CARBON SEAL NOSE RING (SECONDARY)	-	1
10	316SS MATING RING (SECONDARY)	-	1
11	O-RING	4214	1
12	FLUSH HOUSING	4911	1
13	SS BOLT	4312	4

DOUBLE MECHANICAL SEAL COMPONENTS
(P.N. 5223)

ITEM	DESCRIPTION	PART NO.	QTY.
1	O-RING	4217	2
2	SILICON CARBIDE MATING RING (PRIMARY)	-	1
3	SILICON CARBIDE SEAL NOSE RING (PRIMARY)	-	1
4	O-RING	4216	2
5	WAVE SPRING	-	2
6	SS DRIVE PIN	-	4
7	SS DRIVE COLLAR	-	1
8	SS SET SCREW	-	3
9	CARBON SEAL NOSE RING (SECONDARY)	-	1
10	316SS MATING RING (SECONDARY)	-	1
11	O-RING	4214	1
12	FLUSH HOUSING	4911	1
13	SS BOLT	4312	4

THIS DRAWING AND ALL IDEAS INCORPORATED IN ITS DESIGN IS THE EXCLUSIVE PROPERTY OF UNIBLOC HYGIENIC TECHNOLOGIES, LLC. ITS ACCEPTANCE CONSTITUTES AN AGREEMENT THAT IT SHALL BE TREATED AS A CONFIDENTIAL DOCUMENT USED FOR NO OTHER PURPOSE THAN TO AID IN ITS CONSTRUCTION, THAT IT IS TO BE RETURNED UPON REQUEST, AND THAT IT IS NOT TO BE DISCLOSED OR COPIED EXCEPT AS AUTHORIZED IN WRITING BY UNIBLOC HYGIENIC TECHNOLOGIES, LLC.



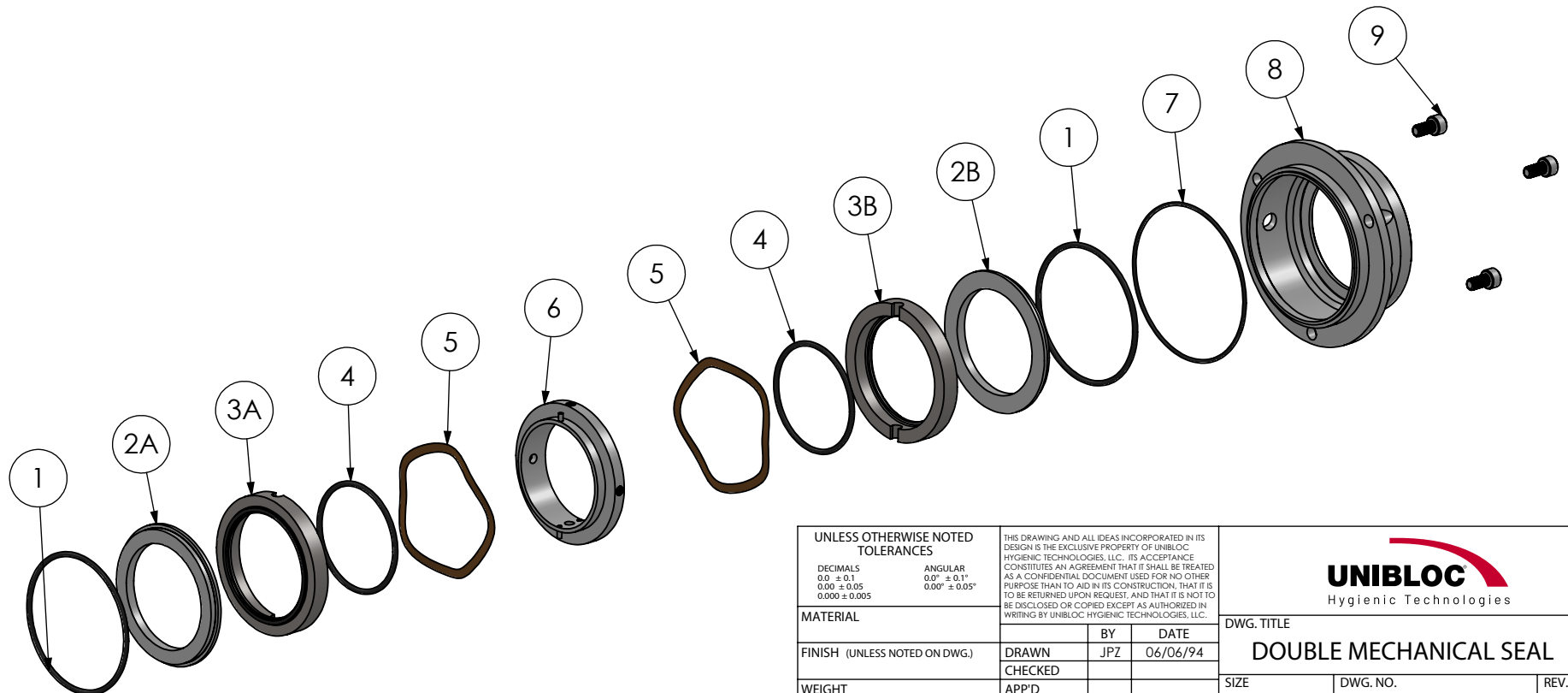
DRAWN		BY	DATE	DWG. TITLE	
CHECKED		JPZ	06/16/15	DOUBLE MECHANICAL SEAL	
APP'D				SIZE	DWG. NO.
SCALE				300 & 350	5220-1
ALL DIMENSIONS IN MM, [IN]				RELEASE DATE	REV. NO.
				JUNE 16, 2016	3
				SHEET 1 OF 2	

DOUBLE MECHANICAL SEAL COMPONENTS

ITEM	DESCRIPTION	PART NO.	QTY.
1	O-RING	4237	2
2A	STATIONARY SEAL FACE	REF. TABLE 2	1
3A	ROTATING SEAL FACE	REF. TABLE 2	1
3B	ROTATING SEAL FACE	REF. TABLE 2	1
2B	STATIONARY SEAL FACE	REF. TABLE 2	1
4	O-RING	4236	2
5	WAVE SPRING	5321	2
6	SS DRIVE COLLAR	5326	1
7	O-RING	4234	1
8	SS FLUSH HOUSING	4931	1
9	SOCKET BOLT: M6X12	SBM6x12	3

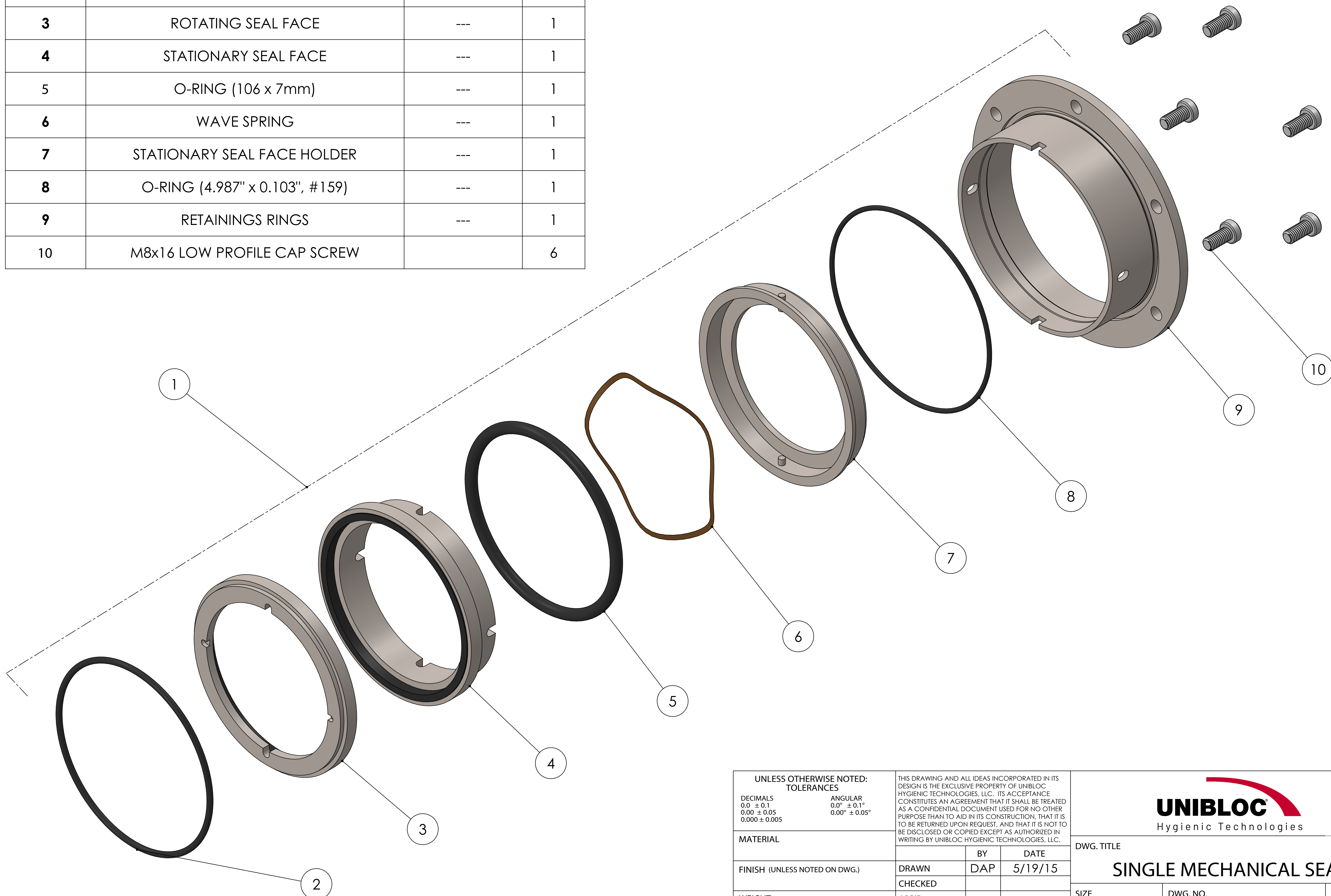
TABLE 2

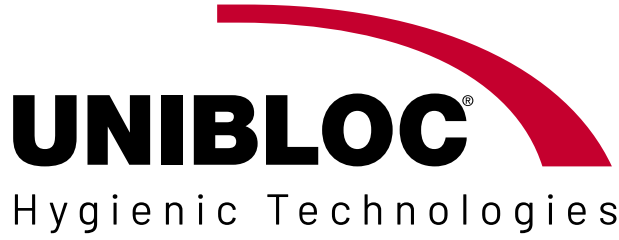
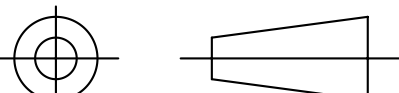
P.N.	ITEM	DESCRIPTION	PART NO.	QTY.
5260	2A	STATIONARY SEAL FACE: STAINLESS STEEL	5323-SS	1
	3A	ROTATING SEAL FACE: CARBON	5325-C	1
	3B	ROTATING SEAL FACE: CARBON	5325-C	1
	2B	STATIONARY SEAL FACE: STAINLESS STEEL	5323-SS	1
5261	2A	STATIONARY SEAL FACE: TUNGSTEN	5323-TC	1
	3A	ROTATING SEAL FACE: SILCON CARBIDE	5325-SIC	1
	3B	ROTATING SEAL FACE: CARBON	5325-C	1
	2B	STATIONARY SEAL FACE: TUNGSTEN	5323-TC	1
5262	2A	STATIONARY SEAL FACE: TUNGSTEN	5323-TC	1
	3A	ROTATING SEAL FACE: TUNGSTEN	5325-TC	1
	3B	ROTATING SEAL FACE: TUNGSTEN	5325-TC	1
	2B	STATIONARY SEAL FACE: TUNGSTEN	5323-TC	1
5263	2A	STATIONARY SEAL FACE: TUNGSTEN	5323-TC	1
	3A	ROTATING SEAL FACE: SILCON CARBIDE	5325-SIC	1
	3B	ROTATING SEAL FACE: SILCON CARBIDE	5325-SIC	1
	2B	STATIONARY SEAL FACE: TUNGSTEN	5323-TC	1



UNLESS OTHERWISE NOTED TOLERANCES DECIMALS 0.0 ± 0.1 0.00 ± 0.05 0.000 ± 0.005 ANGULAR 0.0° ± 0.1° 0.00° ± 0.05°		THIS DRAWING AND ALL IDEAS INCORPORATED IN ITS DESIGN IS THE EXCLUSIVE PROPERTY OF UNIBLOC HYGIENIC TECHNOLOGIES, LLC. ITS ACCEPTANCE CONSTITUTES AN AGREEMENT THAT IT SHALL BE TREATED AS A CONFIDENTIAL DOCUMENT USED FOR NO OTHER PURPOSE THAN TO AID IN ITS CONSTRUCTION, THAT IT IS TO BE RETURNED UPON REQUEST, AND THAT IT IS NOT TO BE DISCLOSED OR COPIED EXCEPT AS AUTHORIZED IN WRITING BY UNIBLOC HYGIENIC TECHNOLOGIES, LLC.			
MATERIAL		BY DATE JPZ 06/06/94			
FINISH (UNLESS NOTED ON DWG.)		CHECKED		SIZE 500,550,575	
WEIGHT		APP'D		DWG. NO. 5260-63	
		SCALE		REV. NO. 3	
ALL DIMENSIONS IN MM, [IN]				RELEASE DATE AUG. 6, 2021	
SHEET 1 OF 2					

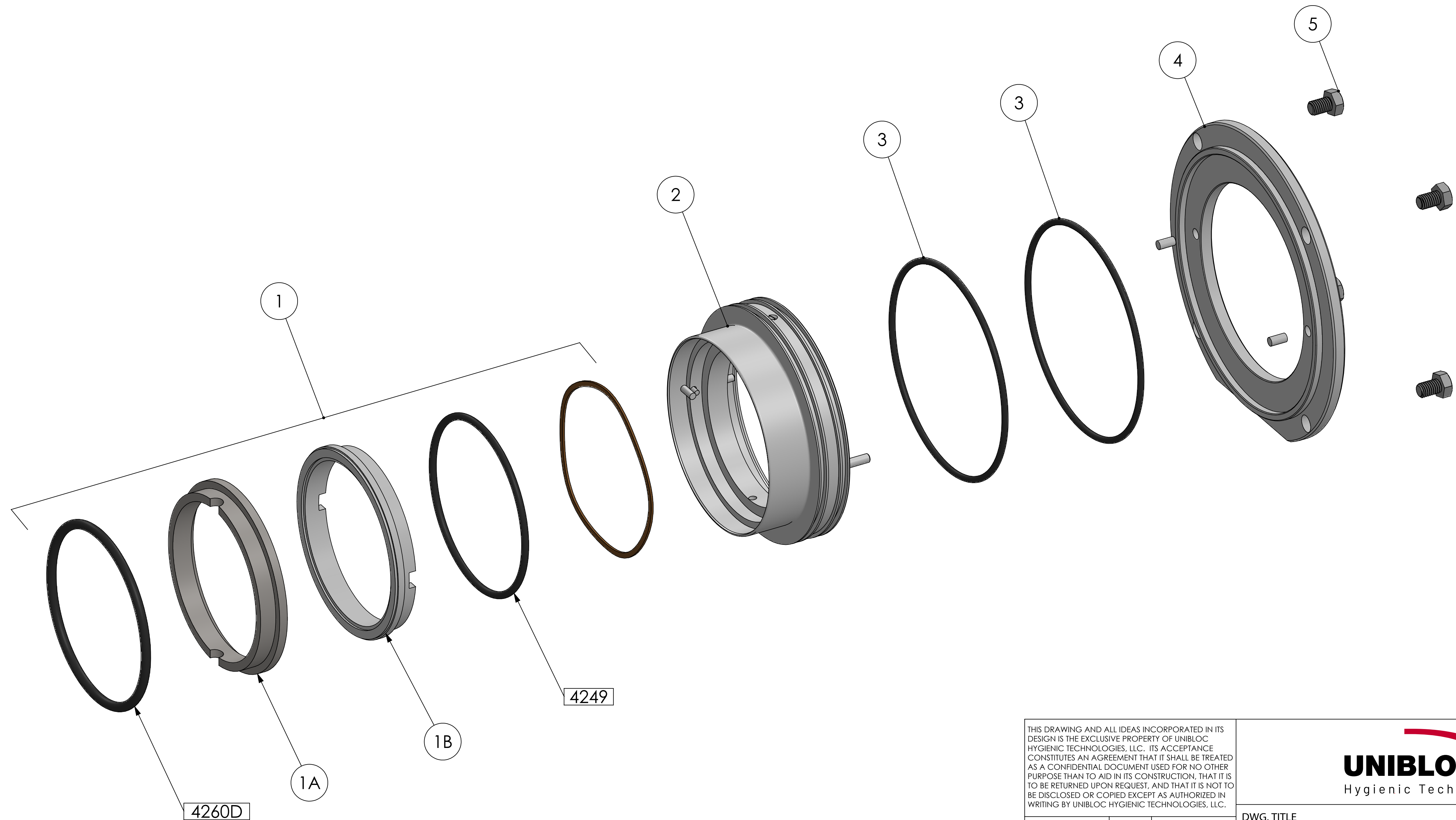
ITEM NO.	DESCRIPTION	PART NO.	QTY.
1	SINGLE MECHANICAL SEAL	5193R	1
2	O-RING (4.359" x 0.139", #245)	---	1
3	ROTATING SEAL FACE	---	1
4	STATIONARY SEAL FACE	---	1
5	O-RING (106 x 7mm)	---	1
6	WAVE SPRING	---	1
7	STATIONARY SEAL FACE HOLDER	---	1
8	O-RING (4.987" x 0.103", #159)	---	1
9	RETAININGS RINGS	---	1
10	M8x16 LOW PROFILE CAP SCREW		6



UNLESS OTHERWISE NOTED: TOLERANCES DECIMALS 0.0 ± 0.1 0.00 ± 0.05 0.000 ± 0.005 ANGULAR 0.0° ± 0.1° 0.00° ± 0.05°		THIS DRAWING AND ALL IDEAS INCORPORATED IN ITS DESIGN IS THE EXCLUSIVE PROPERTY OF UNIBLOC HYGIENIC TECHNOLOGIES, LLC. ITS ACCEPTANCE CONSTITUTES AN AGREEMENT THAT IT SHALL BE TREATED AS A CONFIDENTIAL DOCUMENT USED FOR NO OTHER PURPOSE THAN TO AID IN ITS CONSTRUCTION, THAT IT IS TO BE RETURNED UPON REQUEST, AND THAT IT IS NOT TO BE DISCLOSED OR COPIED EXCEPT AS AUTHORIZED IN WRITING BY UNIBLOC HYGIENIC TECHNOLOGIES, LLC.			
MATERIAL		BY	DAP	DATE	5/19/15
FINISH (UNLESS NOTED ON DWG.)		CHECKED			
WEIGHT		APP'D			
		SCALE		ALL DIMENSIONS IN MM	
DWG. TITLE			SINGLE MECHANICAL SEAL		
SIZE		DWG. NO.		REV. NO.	
600SRS		G821-1		0	
RELEASE DATE		MAY 19, 2015		SHEET 1 OF 2	

ITEM NO.	PART NO.	DESCRIPTION	QTY.
1	REFERENCE TABLE 2	SINGLE MECHANICAL SEAL FACE KIT	1
2	2-4940C	STATIONARY SEAL FACE HOLDER	1
3	4841	O-RING	2
4	2-4940A	RETAINING RING	1
5	HMB8x12	M8x12 HEX BOLT	4

KIT NO.	ITEM NO.	PART NO.	DESCRIPTION
2-5191KIT	1A	2-519R-TC	ROTATING SEAL FACE: TUNGSTEN CARBIDE
	1B	2-519S-SIC	STATIONARY SEAL FACE: SILICON CARBIDE
2-5192KIT	1A	2-519R-C	ROTATING SEAL FACE: CARBON
	1B	2-519S-TC	STATIONARY SEAL FACE: TUNGSTEN CARBIDE
2-5193KIT	1A	2-519R-SIC	ROTATING SEAL FACE: SILICON CARBIDE
	1B	2-519S-SIC	STATIONARY SEAL FACE: SILICON CARBIDE
2-5195KIT	1A	2-519R-TC	ROTATING SEAL FACE: TUNGSTEN CARBIDE
	1B	2-519S-TC	STATIONARY SEAL FACE: TUNGSTEN CARBIDE

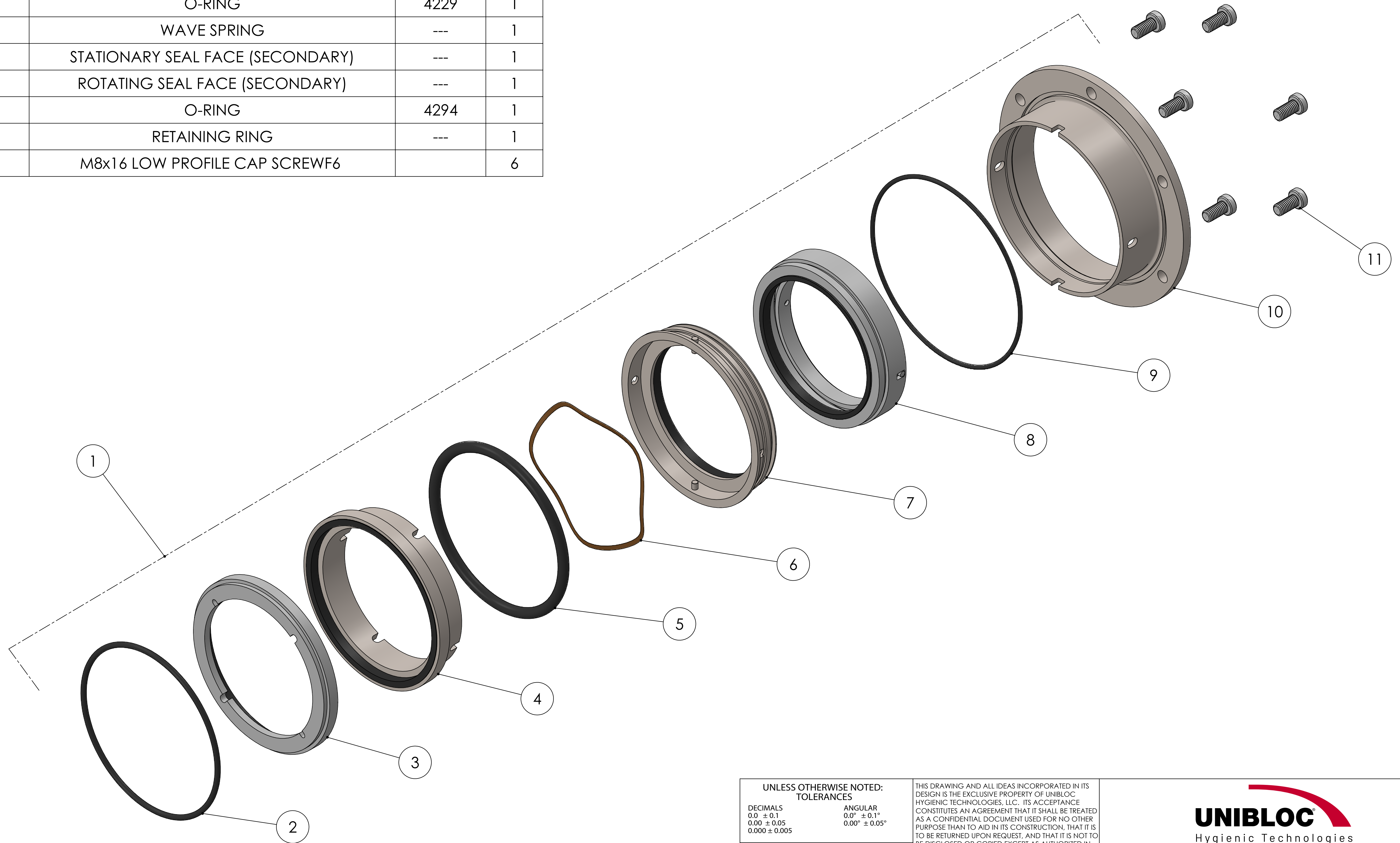


THIS DRAWING AND ALL IDEAS INCORPORATED IN ITS DESIGN IS THE EXCLUSIVE PROPERTY OF UNIBLOC HYGIENIC TECHNOLOGIES, LLC. ITS ACCEPTANCE CONSTITUTES AN AGREEMENT THAT IT SHALL BE TREATED AS A CONFIDENTIAL DOCUMENT USED FOR NO OTHER PURPOSE THAN TO AID IN ITS CONSTRUCTION, THAT IT IS TO BE RETURNED UPON REQUEST, AND THAT IT IS NOT TO BE DISCLOSED OR COPIED EXCEPT AS AUTHORIZED IN WRITING BY UNIBLOC HYGIENIC TECHNOLOGIES, LLC.



DRAWN			BY			DATE			DWG. TITLE		
CHECKED			DAP			5/18/2015			SINGLE MECHANICAL SEAL		
APP'D									SIZE		REV. NO.
SCALE									602SRS		1
ALL DIMENSIONS IN MM			RELEASE DATE			MAR. 23, 2021			SHEET 1 OF 2		
									DWG. NO.		REV. NO.
									2-5191-95		1

ITEM NO.	DESCRIPTION	PART NO.	QTY.
1	DOUBLE MECHANICAL SEAL	5293R	1
2	O-RING	4215	1
3	ROTATING SEAL FACE (PRIMARY)	---	1
4	STATIONARY SEAL FACE (PRIMARY)	---	1
5	O-RING	4229	1
6	WAVE SPRING	---	1
7	STATIONARY SEAL FACE (SECONDARY)	---	1
8	ROTATING SEAL FACE (SECONDARY)	---	1
9	O-RING	4294	1
10	RETAINING RING	---	1
11	M8x16 LOW PROFILE CAP SCREWF6		6




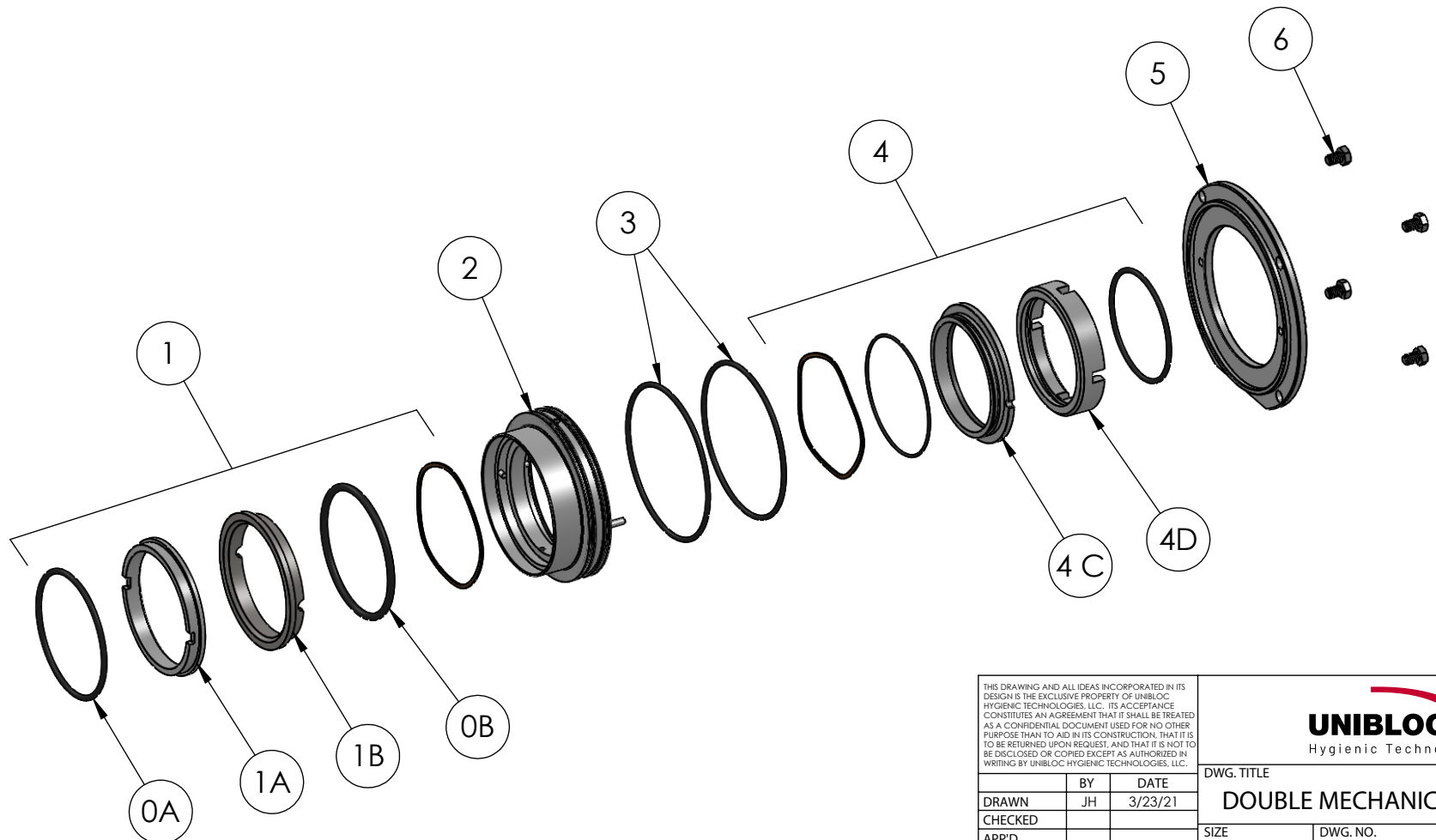
UNLESS OTHERWISE NOTED: TOLERANCES DECIMALS 0.0 ± 0.1 0.00 ± 0.05 0.000 ± 0.005 ANGULAR 0.0° ± 0.1° 0.00° ± 0.05°		THIS DRAWING AND ALL IDEAS INCORPORATED IN ITS DESIGN IS THE EXCLUSIVE PROPERTY OF UNIBLOC HYGIENIC TECHNOLOGIES, LLC. ITS ACCEPTANCE CONSTITUTES AN AGREEMENT THAT IT SHALL BE TREATED AS A CONFIDENTIAL DOCUMENT USED FOR NO OTHER PURPOSE THAN TO AID IN ITS CONSTRUCTION, THAT IT IS TO BE RETURNED UPON REQUEST, AND THAT IT IS NOT TO BE DISCLOSED OR COPIED EXCEPT AS AUTHORIZED IN WRITING BY UNIBLOC HYGIENIC TECHNOLOGIES, LLC.			
MATERIAL		BY	DAP	DATE	5/19/15
FINISH (UNLESS NOTED ON DWG.)		CHECKED			
WEIGHT		APP'D			
		SCALE			
		ALL DIMENSIONS IN MM		DWG. TITLE	DOUBLE MECHANICAL SEAL
		SIZE	600SRS	DWG. NO.	G821-2
		RELEASE DATE	MAY 19, 2015	REV. NO.	0
					SHEET 1 OF 2

TABLE 1			
ITEM NO.	PART NO.	DESCRIPTION	QTY.
0A	4260A	O-RING	1
0B	4249	O-RING	1
1	REFERENCE TABLE 2	SEAL FACE KIT (PRIMARY)	1
2	2-4940B	SEAL FACE HOLDER	1
3	4841	O-RING	2
4	REFERENCE TABLE 2	SEAL FACE KIT (SECONDARY)	1
5	2-4940A	RETAINING RING	1
6	HBM8x12	M8x12 HEX BOLT	4

TABLE 2			
KIT NO.	ITEM NO.	PART NO.	DESCRIPTION
2-5291KIT	1A	2-519R-TC	ROTATING SEAL FACE: TUNGSTEN CARBIDE
	1B	2-519S-SIC	STATIONARY SEAL FACE: SILICON CARBIDE
	4C	2-529S-C	STATIONARY SEAL FACE: CARBON
	4D	2-529R-TC	ROTATING SEAL FACE: TUNGSTEN CARBIDE
2-5292KIT	1A	2-519R-C	ROTATING SEAL FACE: SILICON CARBIDE
	1B	2-519S-TC	STATIONARY SEAL FACE: SILICON CARBIDE
	4C	2-529S-C	STATIONARY SEAL FACE: CARBON
	4D	2-529R-TC	ROTATING SEAL FACE: TUNGSTEN CARBIDE



THIS DRAWING AND ALL IDEAS INCORPORATED IN ITS DESIGN IS THE EXCLUSIVE PROPERTY OF UNIBLOC HYGIENIC TECHNOLOGIES, LLC. ITS ACCEPTANCE CONSTITUTES AN AGREEMENT THAT IT SHALL BE TREATED AS A CONFIDENTIAL DOCUMENT USED FOR NO OTHER PURPOSE THAN TO AID IN ITS CONSTRUCTION, THAT IT IS TO BE RETURNED UPON REQUEST, AND THAT IT IS NOT TO BE DISCLOSED OR COPIED EXCEPT AS AUTHORIZED IN WRITING BY UNIBLOC HYGIENIC TECHNOLOGIES, LLC.

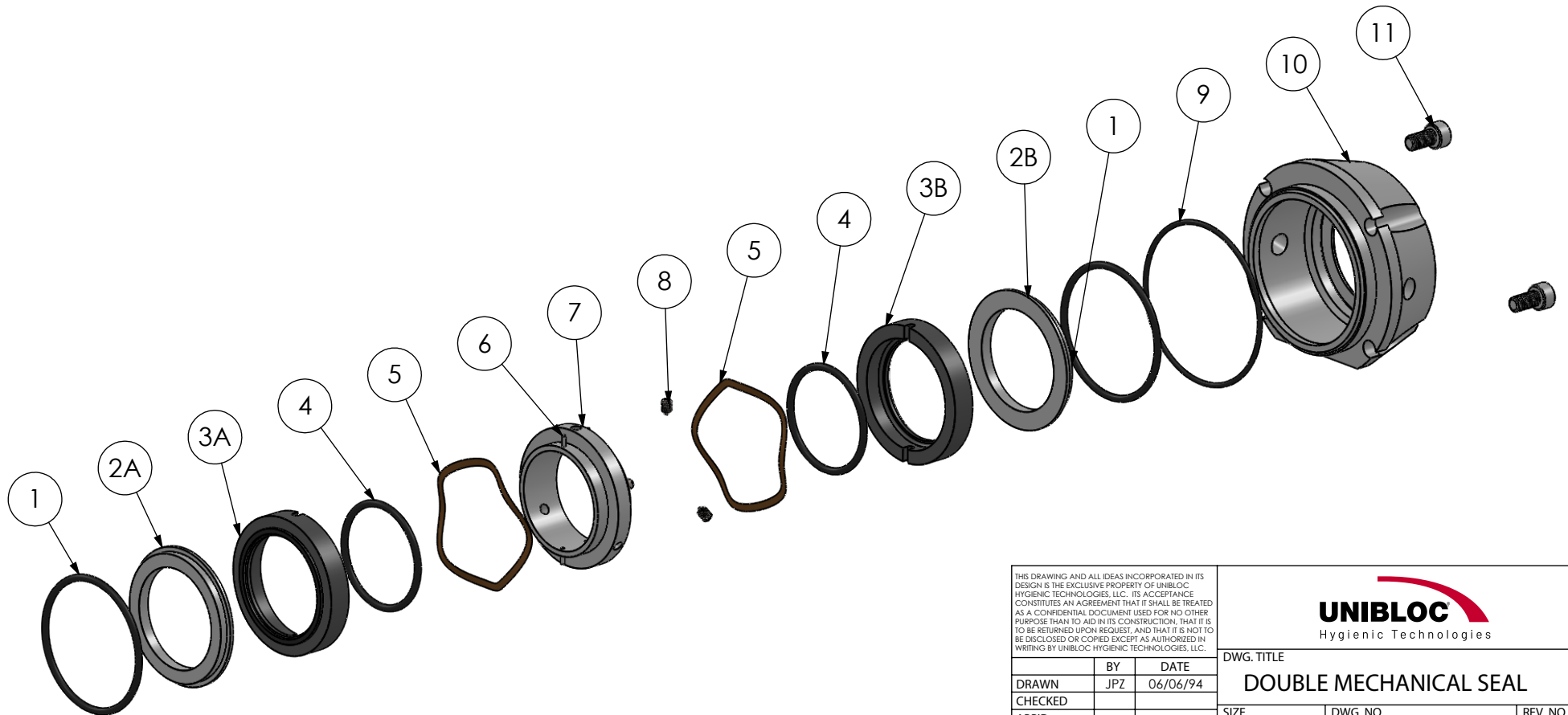
DRAWN	BY	DATE
CHECKED	JH	3/23/21
APP'D		
SCALE		

ALL DIMENSIONS IN MM, [IN]

DWG. TITLE		
DOUBLE MECHANICAL SEAL		
SIZE	DWG. NO.	REV. NO.
PD602 SRS	2-5291-92	0
RELEASE DATE	MAR. 23, 2021	SHEET 1 OF 1

DOUBLE MECHANICAL SEAL COMPONENTS			
ITEM	DESCRIPTION	PART NO.	QTY.
1	O-RING	4225	2
2A	STATIONARY SEAL FACE	REF. TABLE 2	1
3A	ROTATING SEAL FACE	REF. TABLE 2	1
3B	ROTATING SEAL FACE	REF. TABLE 2	1
2B	STATIONARY SEAL FACE	REF. TABLE 2	1
4	O-RING	4217	2
5	WAVE SPRING	5315	2
6	SS DRIVE PIN	5311	4
7	SS DRIVE COLLAR	5320	1
8	SS SET SCREW	5312	3
9	O-RING	4224	1
10	SS FLUSH HOUSING	4921	1
11	SS BOLT	SBM6x12	2

TABLE 2				
P.N.	ITEM	DESCRIPTION	PART NO.	QTY.
5240	2A	STATIONARY SEAL FACE: STAINLESS STEEL	5317-SS	1
	3A	ROTATING SEAL FACE: CARBON	5319-C	1
	3B	ROTATING SEAL FACE: CARBON	5319-C	1
	2B	STATIONARY SEAL FACE: STAINLESS STEEL	5317-SS	1
5241	2A	STATIONARY SEAL FACE: TUNGSTEN	5317-TC	1
	3A	ROTATING SEAL FACE: SILCON CARBIDE	5319-SIC	1
	3B	ROTATING SEAL FACE: CARBON	5319-C	1
	2B	STATIONARY SEAL FACE: TUNGSTEN	5317-TC	1
5245	2A	STATIONARY SEAL FACE: TUNGSTEN	5317-TC	1
	3A	ROTATING SEAL FACE: TUNGSTEN	5319-TC	1
	3B	ROTATING SEAL FACE: CARBON	5319-C	1
	2B	STATIONARY SEAL FACE: TUNGSTEN	5317-TC	1

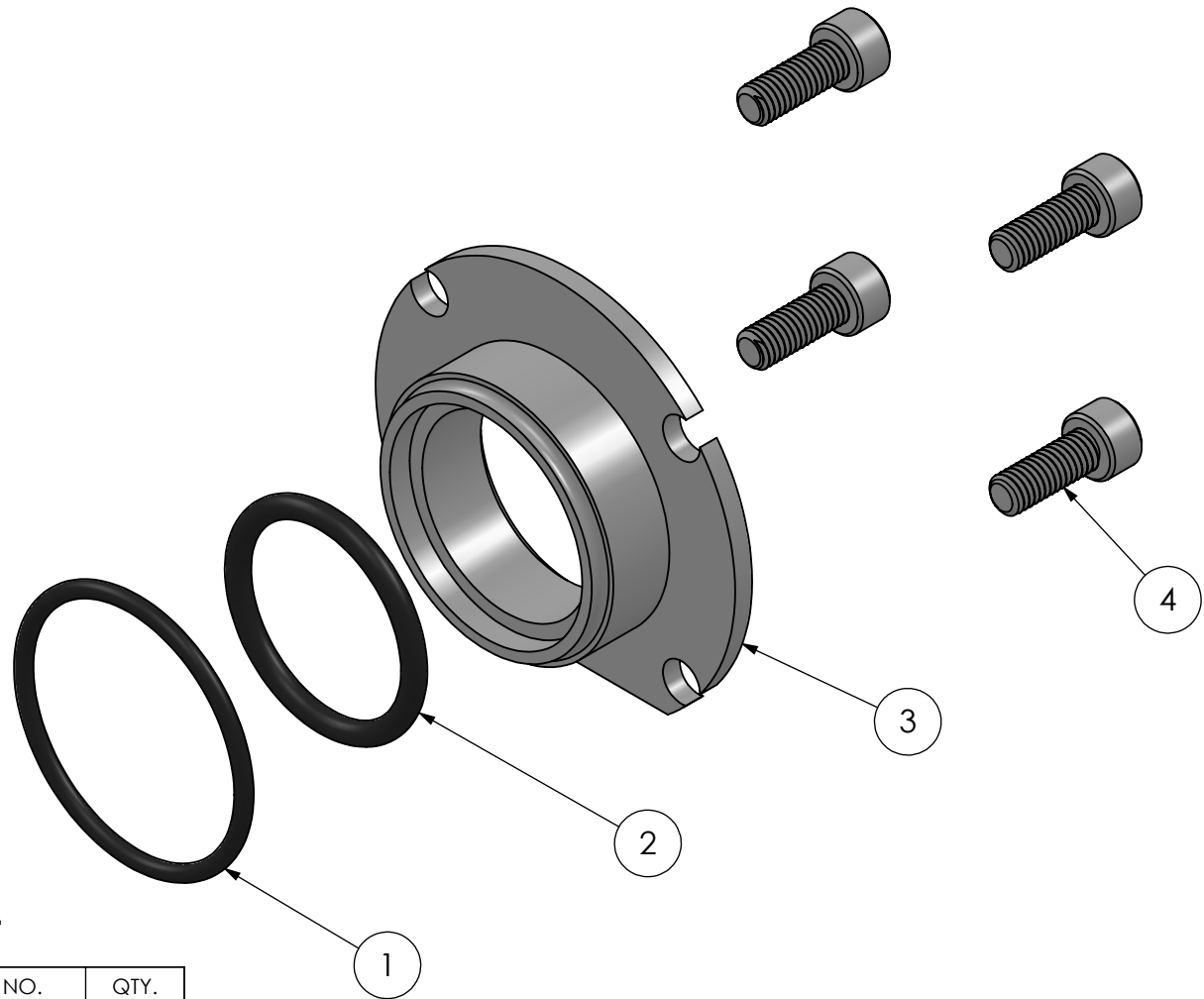


THIS DRAWING AND ALL IDEAS INCORPORATED IN ITS DESIGN IS THE EXCLUSIVE PROPERTY OF UNIBLOC HYGIENIC TECHNOLOGIES, LLC. ITS ACCEPTANCE CONSTITUTES AN AGREEMENT THAT IT SHALL BE TREATED AS A CONFIDENTIAL DOCUMENT USED FOR NO OTHER PURPOSE THAN TO AID IN ITS CONSTRUCTION, THAT IT IS TO BE RETURNED UPON REQUEST, AND THAT IT IS NOT TO BE DISCLOSED OR COPIED EXCEPT AS AUTHORIZED IN WRITING BY UNIBLOC HYGIENIC TECHNOLOGIES, LLC.



	BY	DATE
DRAWN	JPZ	06/06/94
CHECKED		
APP'D		
SCALE		

DWG. TITLE		
DOUBLE MECHANICAL SEAL		
SIZE	DWG. NO.	REV. NO.
400 & 450	5240-45	3
RELEASE DATE	SHEET 1 OF 2	
JUN. 23, 2021		




SINGLE O-RING SEAL

SIZE	ITEM	DESCRIPTION	PART NO.	QTY.
300/350	1	O-RING	4217	1
	2	O-RING	4218	1
	3	SINGLE O-RING SEAL RETAINER	4913	1
	4	M6x12	SBM6x12	4
400/450	1	O-RING	4225	1
	2	O-RING	4226	1
	3	SINGLE O-RING SEAL RETAINER	4923	1
	4	M6x12	SBM6x12	4
500/550	1	O-RING	4237	1
	2	O-RING	4238	1
	3	SINGLE O-RING SEAL RETAINER	4933	1
	4	M6x12	SBM6x12	3

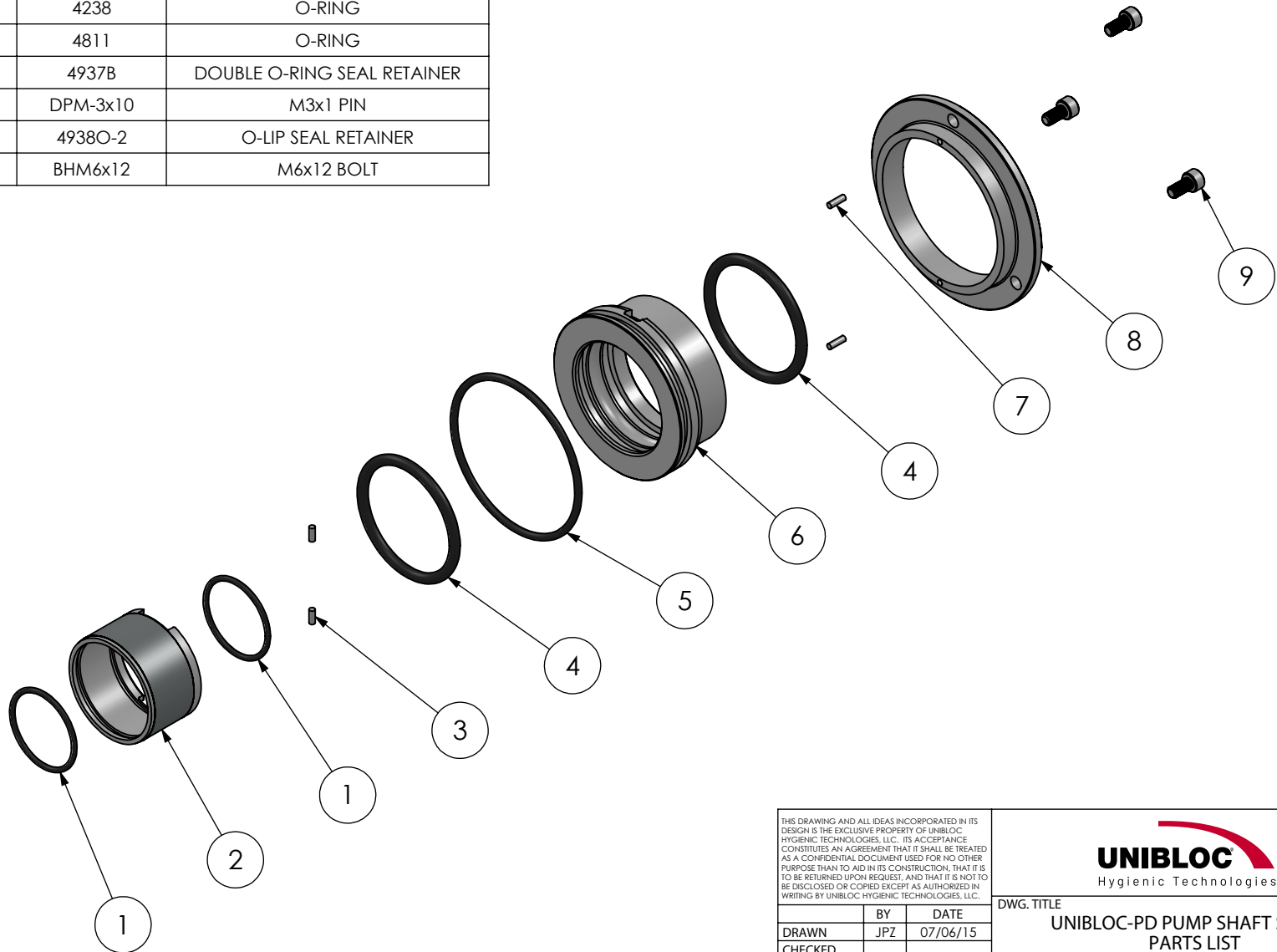
THIS DRAWING AND ALL IDEAS INCORPORATED IN ITS DESIGN IS THE EXCLUSIVE PROPERTY OF UNIBLOC HYGIENIC TECHNOLOGIES, LLC. ITS ACCEPTANCE CONSTITUTES AN AGREEMENT THAT IT SHALL BE TREATED AS A CONFIDENTIAL DOCUMENT USED FOR NO OTHER PURPOSE THAN TO AID IN ITS CONSTRUCTION, THAT IT IS TO BE RETURNED UPON REQUEST, AND THAT IT IS NOT TO BE DISCLOSED OR COPIED EXCEPT AS AUTHORIZED IN WRITING BY UNIBLOC HYGIENIC TECHNOLOGIES, LLC.

DRAWN	BY	DATE
CHECKED	JPZ	06/16/15
APP'D		
SCALE		

		
DWG. TITLE		
UNIBLOC-PD PUMP SEAL PARTS LIST		
SIZE	DWG. NO.	REV. NO.
300-575	G804-2	2
RELEASE DATE	FEB. 23, 2011	SHEET 1 OF 2

DOUBLE O-RING SEAL
 OPTIONAL:SINGLE O-RING SEAL

ITEM NO.	PCS. PER SEAL	PART NO.	DESCRIPTION
1	2	4228A	O-RING
2	1	4939B	WEAR SLEEVE
3	2	DPM3x8	M3x8 PIN
4	2	4238	O-RING
5	1	4811	O-RING
6	1	4937B	DOUBLE O-RING SEAL RETAINER
7	2	DPM-3x10	M3x1 PIN
8	1	4938O-2	O-LIP SEAL RETAINER
9	3	BHM6x12	M6x12 BOLT



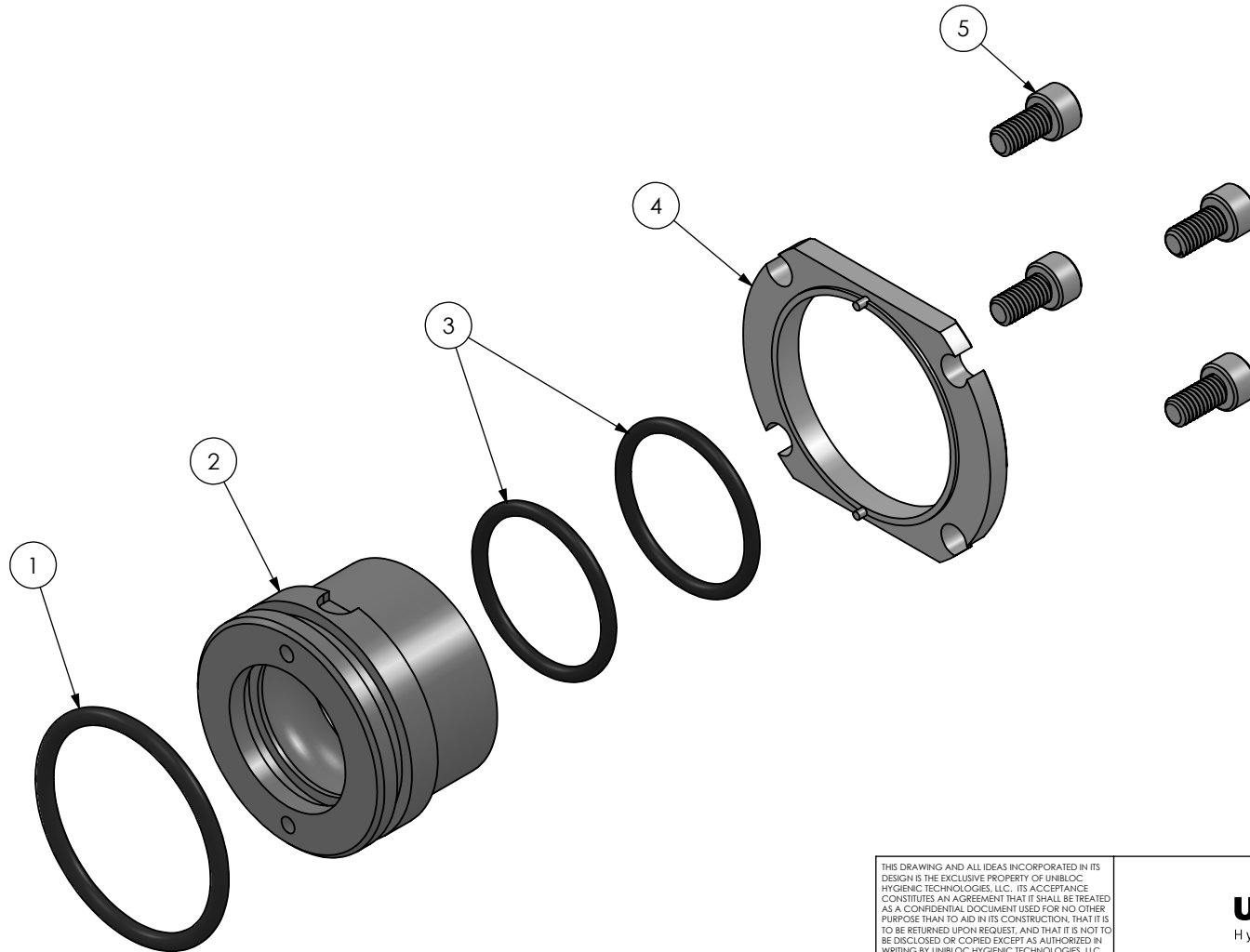
THIS DRAWING AND ALL IDEAS INCORPORATED IN ITS DESIGN IS THE EXCLUSIVE PROPERTY OF UNIBLOC-HYGIENIC TECHNOLOGIES, LLC. ITS ACCEPTANCE CONSTITUTES AN AGREEMENT THAT IT SHALL BE TREATED AS A CONFIDENTIAL DOCUMENT USED FOR NO OTHER PURPOSE THAN TO AID IN ITS CONSTRUCTION, THAT IT IS TO BE RETURNED UPON REQUEST, AND THAT IT IS NOT TO BE DISCLOSED OR COPIED EXCEPT AS AUTHORIZED IN WRITING BY UNIBLOC-HYGIENIC TECHNOLOGIES, LLC.



DRAWN	BY	DATE
JPZ		07/06/15
CHECKED		
APP'D		
SCALE		

DWG. TITLE		
UNIBLOC-PD PUMP SHAFT SEAL PARTS LIST		
SIZE	DWG. NO.	REV. NO.
501,551,576	G812B-3	2
RELEASE DATE	SHEET 1 OF 2	
APRIL 5, 2004		

ITEM NO.	PART NUMBER	DESCRIPTION	QTY.
1	4823	O-RING	1
2	4912A	SEAL HOUSING	1
3	4218	O-RING	2
4	4915FL	SEAL RETAINER RING	1
5	SBM6X12	SOCKET HEAD SCREW: M6X12	4



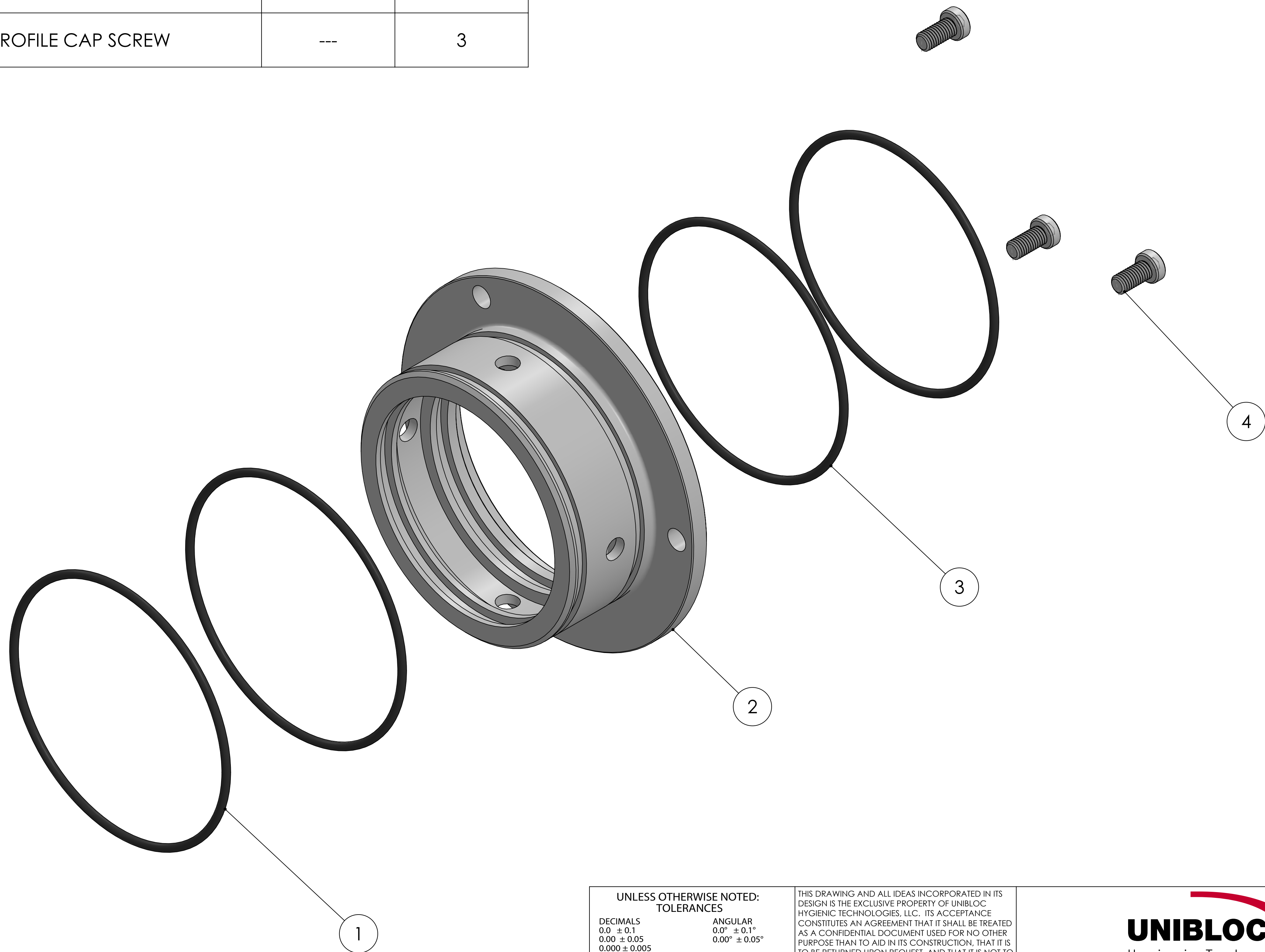
THIS DRAWING AND ALL IDEAS INCORPORATED IN ITS DESIGN IS THE EXCLUSIVE PROPERTY OF UNIBLOC HYGIENIC TECHNOLOGIES, LLC. ITS ACCEPTANCE CONSTITUTES AN AGREEMENT THAT IT SHALL BE TREATED AS A CONFIDENTIAL DOCUMENT USED FOR NO OTHER PURPOSE THAN TO AID IN ITS CONSTRUCTION, THAT IT IS TO BE RETURNED UPON REQUEST, AND THAT IT IS NOT TO BE DISCLOSED OR COPIED EXCEPT AS AUTHORIZED IN WRITING BY UNIBLOC HYGIENIC TECHNOLOGIES, LLC.




	BY	DATE
DRAWN	KL	04/03/20
CHECKED		
APP'D		
SCALE		

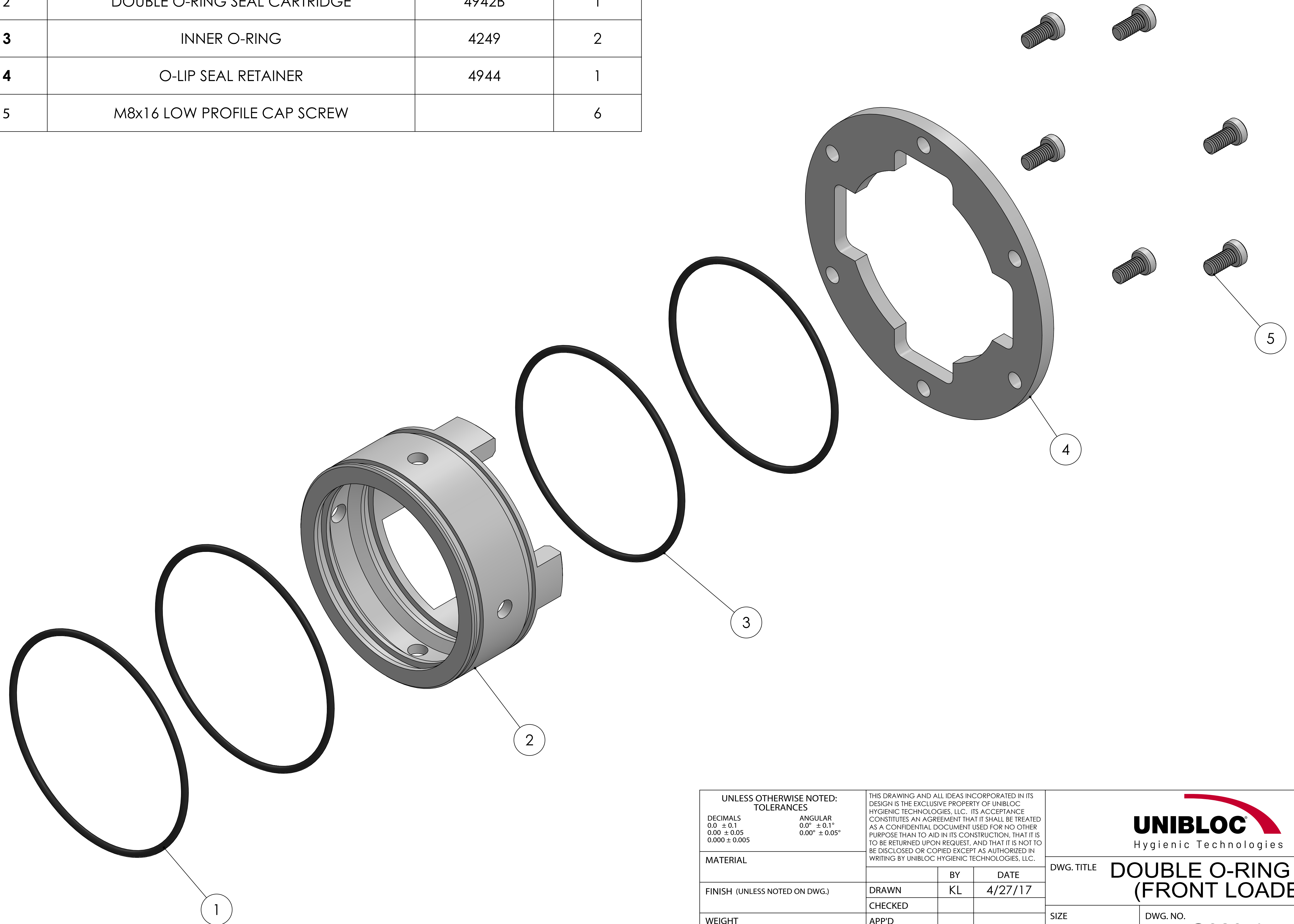
DWG. TITLE		
DOUBLE O-RING SEAL: FRONT LOADED		
SIZE	DWG. NO.	REV. NO.
300	G804-4	0
RELEASE DATE	APR. 3, 2020	
SHEET 1 OF 2		

ITEM NO.	DESCRIPTION	PART NO.	QTY.
1	OUTER O-RING	4248	2
2	DOUBLE O-RING SEAL HOUSING	4942	1
3	INNER O-RING	4249	2
4	M8x16 LOW PROFILE CAP SCREW	---	3



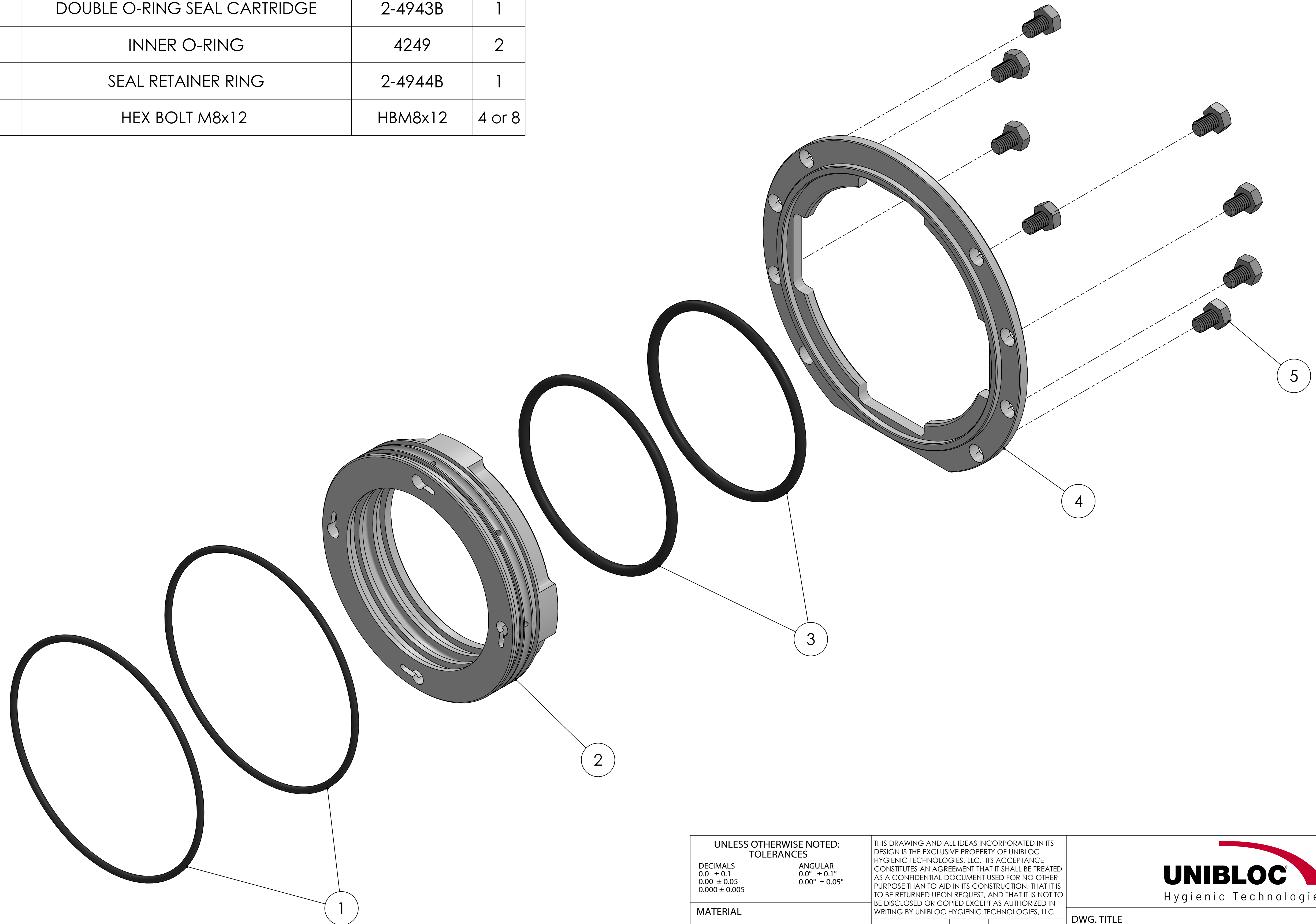
UNLESS OTHERWISE NOTED: TOLERANCES DECIMALS 0.0 ± 0.1 0.00 ± 0.05 0.000 ± 0.005 ANGULAR 0.0° ± 0.1° 0.00° ± 0.05°		THIS DRAWING AND ALL IDEAS INCORPORATED IN ITS DESIGN IS THE EXCLUSIVE PROPERTY OF UNIBLOC HYGIENIC TECHNOLOGIES, LLC. ITS ACCEPTANCE CONSTITUTES AN AGREEMENT THAT IT SHALL BE TREATED AS A CONFIDENTIAL DOCUMENT USED FOR NO OTHER PURPOSE THAN TO AID IN ITS CONSTRUCTION, THAT IT IS TO BE RETURNED UPON REQUEST, AND THAT IT IS NOT TO BE DISCLOSED OR COPIED EXCEPT AS AUTHORIZED IN WRITING BY UNIBLOC HYGIENIC TECHNOLOGIES, LLC.									
MATERIAL		BY	DAP	DATE	5/20/15	DWG. TITLE DOUBLE O-RING SEAL (REAR LOADED)					
FINISH (UNLESS NOTED ON DWG.)		CHECKED				SIZE	600SRS	DWG. NO.	G820-2	REV. NO.	0
WEIGHT		APP'D				SCALE	ALL DIMENSIONS IN MM		RELEASE DATE	MAY 20, 2015	SHEET 1 OF 2

ITEM NO.	DESCRIPTION	PART NO.	QTY.
1	OUTER O-RING	4248	2
2	DOUBLE O-RING SEAL CARTRIDGE	4942B	1
3	INNER O-RING	4249	2
4	O-LIP SEAL RETAINER	4944	1
5	M8x16 LOW PROFILE CAP SCREW		6

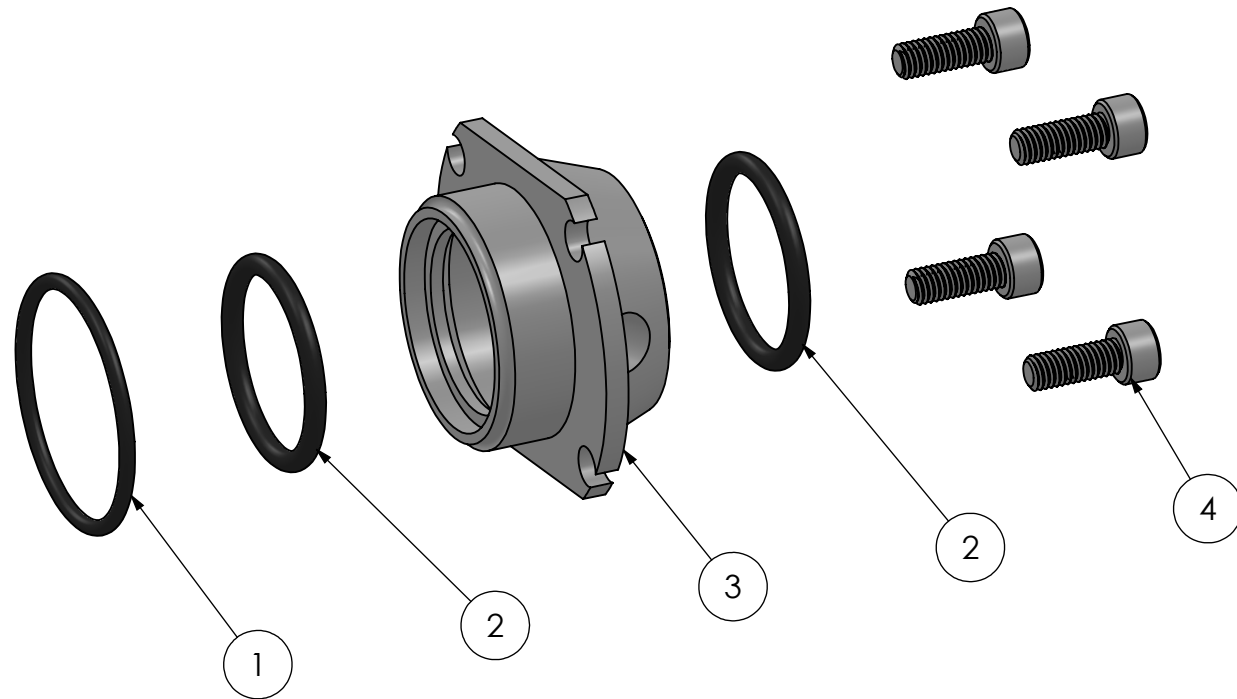


<p>UNLESS OTHERWISE NOTED: TOLERANCES</p> <table border="0"> <tr> <td>DECIMALS</td> <td>ANGULAR</td> </tr> <tr> <td>0.0 ± 0.1</td> <td>0.0° ± 0.1°</td> </tr> <tr> <td>0.00 ± 0.05</td> <td>0.00° ± 0.05°</td> </tr> <tr> <td>0.000 ± 0.005</td> <td></td> </tr> </table>		DECIMALS	ANGULAR	0.0 ± 0.1	0.0° ± 0.1°	0.00 ± 0.05	0.00° ± 0.05°	0.000 ± 0.005		<p>THIS DRAWING AND ALL IDEAS INCORPORATED IN ITS DESIGN IS THE EXCLUSIVE PROPERTY OF UNIBLOC HYGIENIC TECHNOLOGIES, LLC. ITS ACCEPTANCE CONSTITUTES AN AGREEMENT THAT IT SHALL BE TREATED AS A CONFIDENTIAL DOCUMENT USED FOR NO OTHER PURPOSE THAN TO AID IN ITS CONSTRUCTION, THAT IT IS TO BE RETURNED UPON REQUEST, AND THAT IT IS NOT TO BE DISCLOSED OR COPIED EXCEPT AS AUTHORIZED IN WRITING BY UNIBLOC HYGIENIC TECHNOLOGIES, LLC.</p>			
DECIMALS	ANGULAR												
0.0 ± 0.1	0.0° ± 0.1°												
0.00 ± 0.05	0.00° ± 0.05°												
0.000 ± 0.005													
MATERIAL				DWG. TITLE	DOUBLE O-RING SEAL (FRONT LOADED)								
FINISH (UNLESS NOTED ON DWG.)				DRAWN	KL	DATE	4/27/17	SIZE	600SRS	DWG. NO.	G820-4	REV. NO.	1
WEIGHT				CHECKED				SCALE		RELEASE DATE	DEC. 12, 2018	SHEET 1 OF 2	
<p>ALL DIMENSIONS IN MM</p>													

ITEM NO.	DESCRIPTION	PART NO.	QTY
1	OUTER O-RING	4841	2
2	DOUBLE O-RING SEAL CARTRIDGE	2-4943B	1
3	INNER O-RING	4249	2
4	SEAL RETAINER RING	2-4944B	1
5	HEX BOLT M8x12	HBM8x12	4 or 8



<p>UNLESS OTHERWISE NOTED: TOLERANCES</p> <table border="0"> <tr> <td>DECIMALS</td> <td>ANGULAR</td> </tr> <tr> <td>0.0 ± 0.1</td> <td>0.0° ± 0.1°</td> </tr> <tr> <td>0.00 ± 0.05</td> <td>0.00° ± 0.05°</td> </tr> <tr> <td>0.000 ± 0.005</td> <td></td> </tr> </table>		DECIMALS	ANGULAR	0.0 ± 0.1	0.0° ± 0.1°	0.00 ± 0.05	0.00° ± 0.05°	0.000 ± 0.005		<p>THIS DRAWING AND ALL IDEAS INCORPORATED IN ITS DESIGN IS THE EXCLUSIVE PROPERTY OF UNIBLOC HYGIENIC TECHNOLOGIES, LLC. ITS ACCEPTANCE CONSTITUTES AN AGREEMENT THAT IT SHALL BE TREATED AS A CONFIDENTIAL DOCUMENT USED FOR NO OTHER PURPOSE THAN TO AID IN ITS CONSTRUCTION, THAT IT IS TO BE RETURNED UPON REQUEST, AND THAT IT IS NOT TO BE DISCLOSED OR COPIED EXCEPT AS AUTHORIZED IN WRITING BY UNIBLOC HYGIENIC TECHNOLOGIES, LLC.</p>			
DECIMALS	ANGULAR												
0.0 ± 0.1	0.0° ± 0.1°												
0.00 ± 0.05	0.00° ± 0.05°												
0.000 ± 0.005													
MATERIAL		BY	DATE	DWG. TITLE DOUBLE O-RING SEAL									
FINISH (UNLESS NOTED ON DWG.)		KL	6/15/11	SIZE	REV. NO.								
WEIGHT		APP'D		602 SRS	3								
		SCALE		DWG. NO.									
		ALL DIMENSIONS IN MM		G2-803									
				RELEASE DATE	SHEET 1 OF 2								
				MAY 12, 2020									



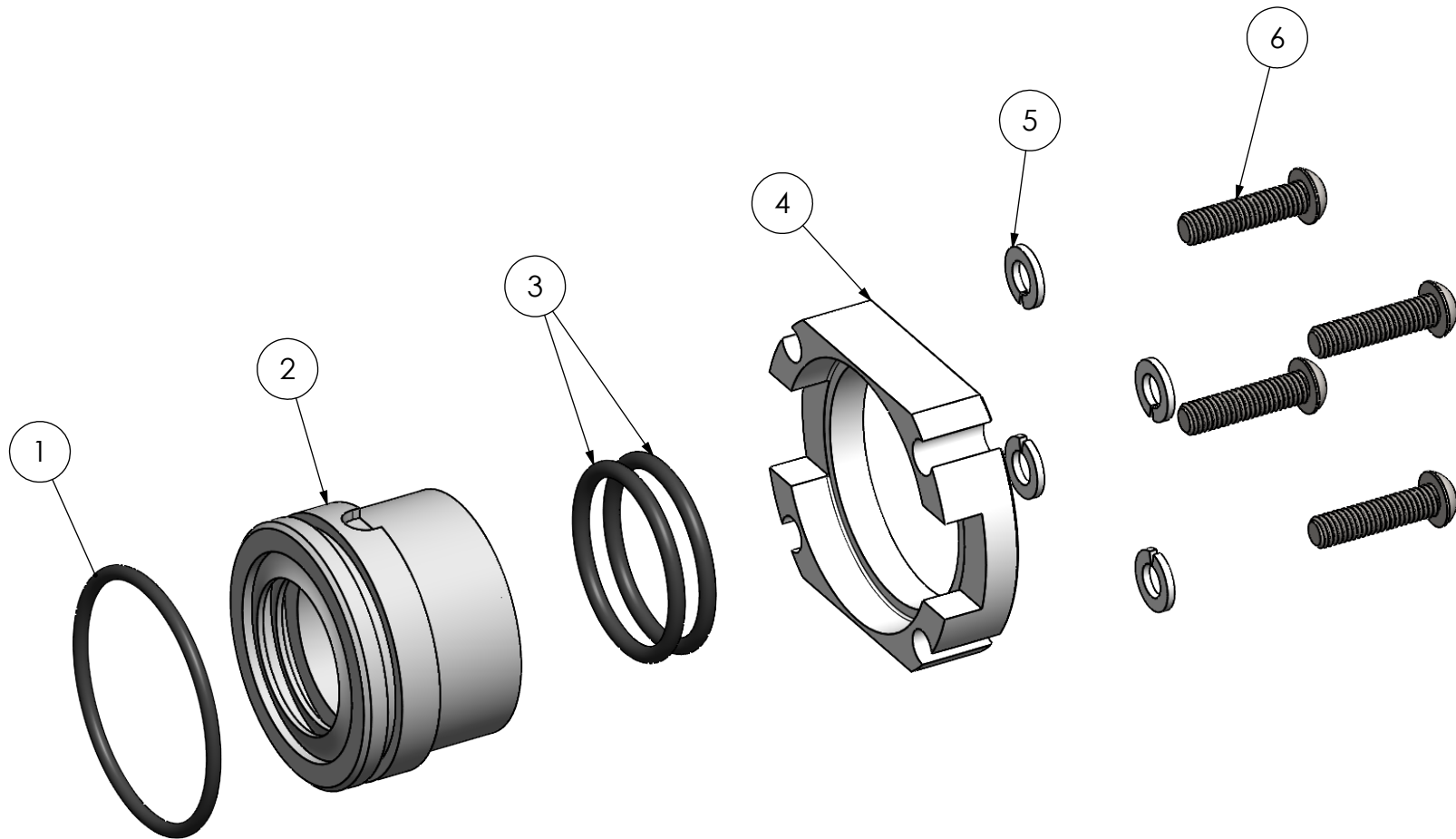
FLUSHED DOUBLE O-RING SEAL

SIZE	ITEM	DESCRIPTION	PART NO.	QTY.
300/350	1	O-RING	4217	1
	2	O-RING	4218	2
	3	DOUBLE O-RING FLUSH HOUSING	4912	1
	4	M6x12	SBM6x12	4
400/450	1	O-RING	4225	1
	2	O-RING	4226	2
	3	DOUBLE O-RING FLUSH HOUSING	4922	1
	4	M6x12	SBM6x12	4
500/550	1	O-RING	4237	1
	2	O-RING	4238	2
	3	DOULBE O-RING FLUSH HOUSING	4932	1
	4	M6x12	SBM6x12	3

THIS DRAWING AND ALL IDEAS INCORPORATED IN ITS DESIGN IS THE EXCLUSIVE PROPERTY OF UNIBLOC HYGIENIC TECHNOLOGIES, LLC. ITS ACCEPTANCE CONSTITUTES AN AGREEMENT THAT IT SHALL BE TREATED AS A CONFIDENTIAL DOCUMENT USED FOR NO OTHER PURPOSE THAN TO AID IN ITS CONSTRUCTION, THAT IT IS TO BE RETURNED UPON REQUEST, AND THAT IT IS NOT TO BE DISCLOSED OR COPIED EXCEPT AS AUTHORIZED IN WRITING BY UNIBLOC HYGIENIC TECHNOLOGIES, LLC.



DRAWN			BY	DATE	DWG. TITLE		
CHECKED			JPZ	07/06/15	UNIBLOC-PD PUMP SEAL PARTS LIST		
APP'D					SIZE	DWG. NO.	REV. NO.
SCALE					300-575	G804-3	2
ALL DIMENSIONS IN MM, [IN]					RELEASE DATE	FEB. 23, 2011	SHEET 1 OF 2



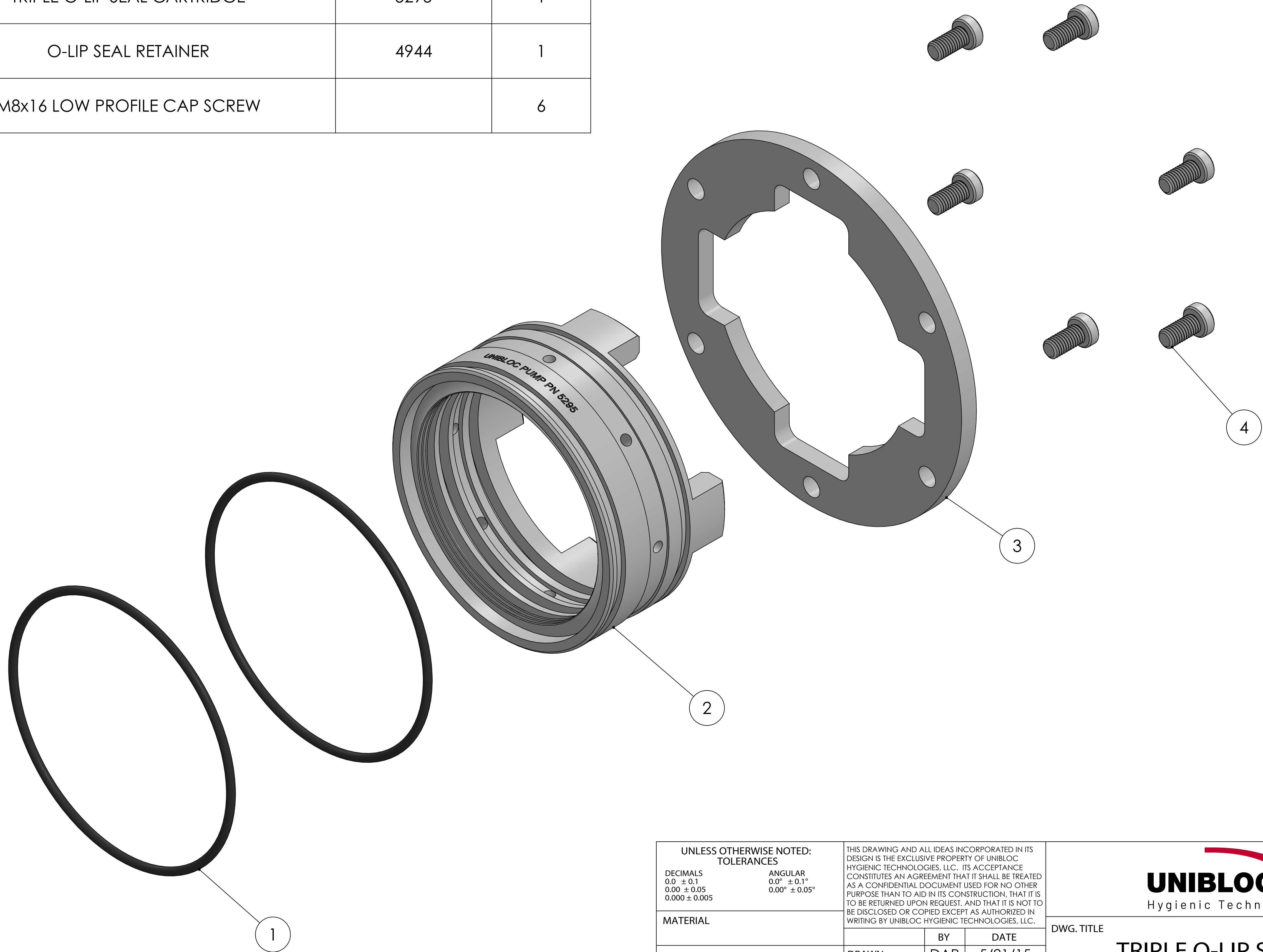
DOUBLE O-LIP SEAL COMPONENTS		SIZE	300/350	400/450	500/575
		SEAL NUMBER	5230A	5250	5272
ITEM	QTY.	DESCRIPTION	PART NUMBER		
1	1	O-RING	4823	---	4811
2	1	O-LIP SEAL	5230A	5250	5272
3	2	O-RING	4218	---	---
4	1	O-LIP RETAINER RING	4915	4925	4935
5	4	LOCK WASHER	LWM6	---	---


THIS DRAWING AND ALL IDEAS INCORPORATED IN ITS DESIGN IS THE EXCLUSIVE PROPERTY OF UNIBLOC HYGIENIC TECHNOLOGIES, LLC. ITS ACCEPTANCE CONSTITUTES AN AGREEMENT THAT IT SHALL BE TREATED AS A CONFIDENTIAL DOCUMENT USED FOR NO OTHER PURPOSE THAN TO AID IN ITS CONSTRUCTION, THAT IT IS TO BE RETURNED UPON REQUEST, AND THAT IT IS NOT TO BE DISCLOSED OR COPIED EXCEPT AS AUTHORIZED IN WRITING BY UNIBLOC HYGIENIC TECHNOLOGIES, LLC.



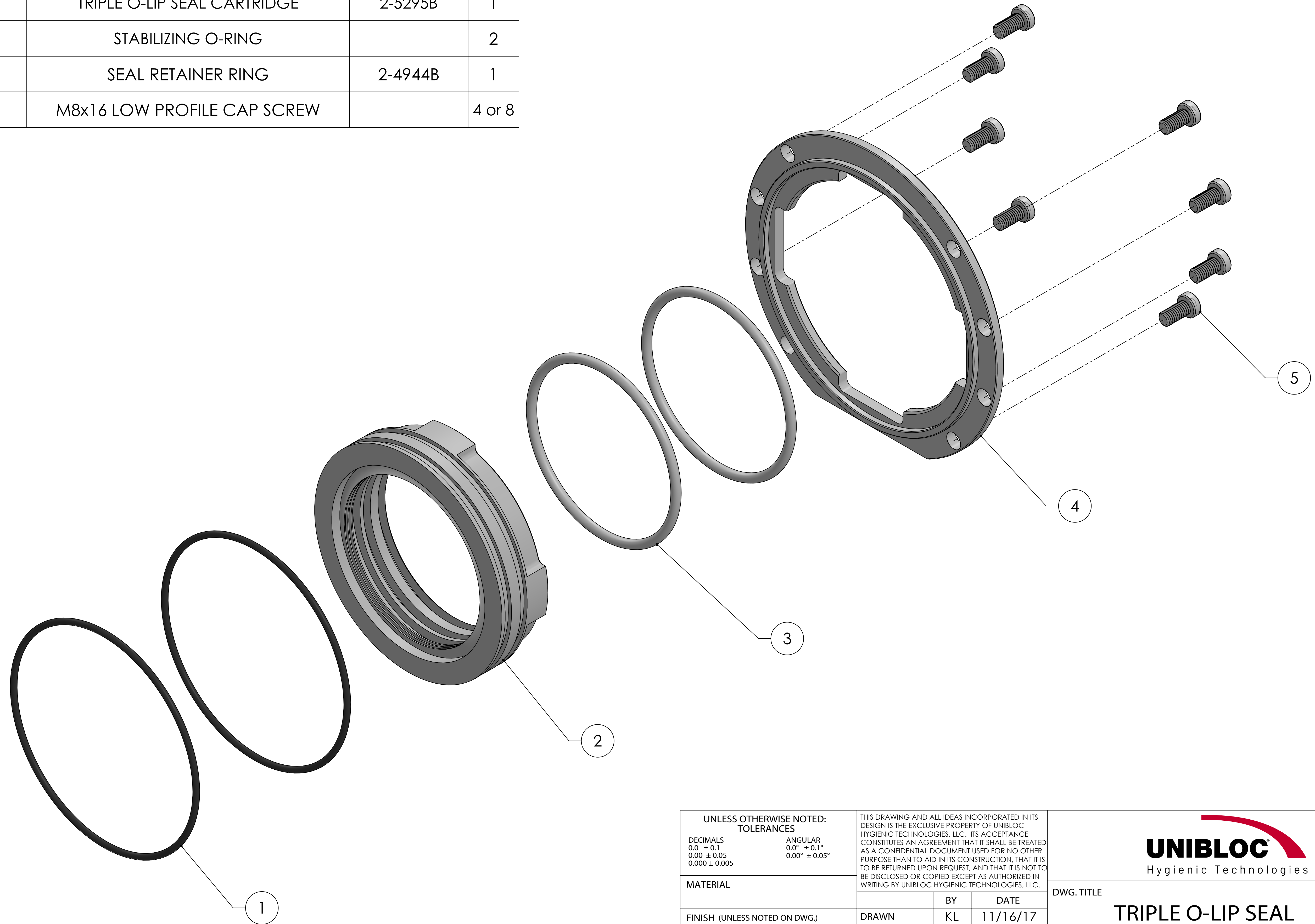
DRAWN			BY	DATE	DWG. TITLE		
CHECKED			JPZ	9/16/20	DOUBLE O-LIP SEAL		
APP'D					SIZE	DWG. NO.	REV. NO.
SCALE					300-575	G808	3
ALL DIMENSIONS IN MM, [IN]					RELEASE DATE	NOV. 9, 2020	SHEET 1 OF 2


ITEM NO.	DESCRIPTION	PART NO.	QTY.
1	O-RING	4298	2
2	TRIPLE O-LIP SEAL CARTRIDGE	5295	1
3	O-LIP SEAL RETAINER	4944	1
4	M8X16 LOW PROFILE CAP SCREW		6



UNLESS OTHERWISE NOTED: TOLERANCES DECIMALS 0.0 ± 0.1 0.00 ± 0.05 0.000 ± 0.005 ANGULAR 0.0° ± 0.1° 0.00° ± 0.05°		THIS DRAWING AND ALL IDEAS INCORPORATED IN ITS DESIGN IS THE EXCLUSIVE PROPERTY OF UNIBLOC HYGIENIC TECHNOLOGIES, LLC. ITS ACCEPTANCE CONSTITUTES AN AGREEMENT THAT IT SHALL BE TREATED AS A CONFIDENTIAL DOCUMENT USED FOR NO OTHER PURPOSE THAN TO AID IN ITS CONSTRUCTION, THAT IT IS TO BE RETURNED UPON REQUEST, AND THAT IT IS NOT TO BE DISCLOSED OR COPIED EXCEPT AS AUTHORIZED IN WRITING BY UNIBLOC HYGIENIC TECHNOLOGIES, LLC.					
MATERIAL		BY	DAP	DATE	5/21/15	DWG. TITLE TRIPLE O-LIP SEAL	
FINISH (UNLESS NOTED ON DWG.)		CHECKED				SIZE	600SRS
WEIGHT		APP'D				DWG. NO.	G820-3
		SCALE				REV. NO.	1
		ALL DIMENSIONS IN MM		RELEASE DATE	JUNE 24, 2015	SHEET 1 OF 2	

ITEM NO.	DESCRIPTION	PART NO.	QTY
1	OUTER O-RING	4841	2
2	TRIPLE O-LIP SEAL CARTRIDGE	2-5295B	1
3	STABILIZING O-RING		2
4	SEAL RETAINER RING	2-4944B	1
5	M8x16 LOW PROFILE CAP SCREW		4 or 8



UNLESS OTHERWISE NOTED: TOLERANCES DECIMALS 0.0 ± 0.1 0.00 ± 0.05 0.000 ± 0.005 ANGULAR 0.0° ± 0.1° 0.00° ± 0.05°		THIS DRAWING AND ALL IDEAS INCORPORATED IN ITS DESIGN IS THE EXCLUSIVE PROPERTY OF UNIBLOC HYGIENIC TECHNOLOGIES, LLC. ITS ACCEPTANCE CONSTITUTES AN AGREEMENT THAT IT SHALL BE TREATED AS A CONFIDENTIAL DOCUMENT USED FOR NO OTHER PURPOSE THAN TO AID IN ITS CONSTRUCTION, THAT IT IS TO BE RETURNED UPON REQUEST, AND THAT IT IS NOT TO BE DISCLOSED OR COPIED EXCEPT AS AUTHORIZED IN WRITING BY UNIBLOC HYGIENIC TECHNOLOGIES, LLC.			
MATERIAL		BY	DATE	DWG. TITLE TRIPLE O-LIP SEAL	
FINISH (UNLESS NOTED ON DWG.)		KL	11/16/17	SIZE	REV. NO.
WEIGHT		APP'D		602 SRS	1
		SCALE		DWG. NO.	
		ALL DIMENSIONS IN MM		G2-805	
				RELEASE DATE	SHEET 1 OF 2
				MAR. 17, 2017	