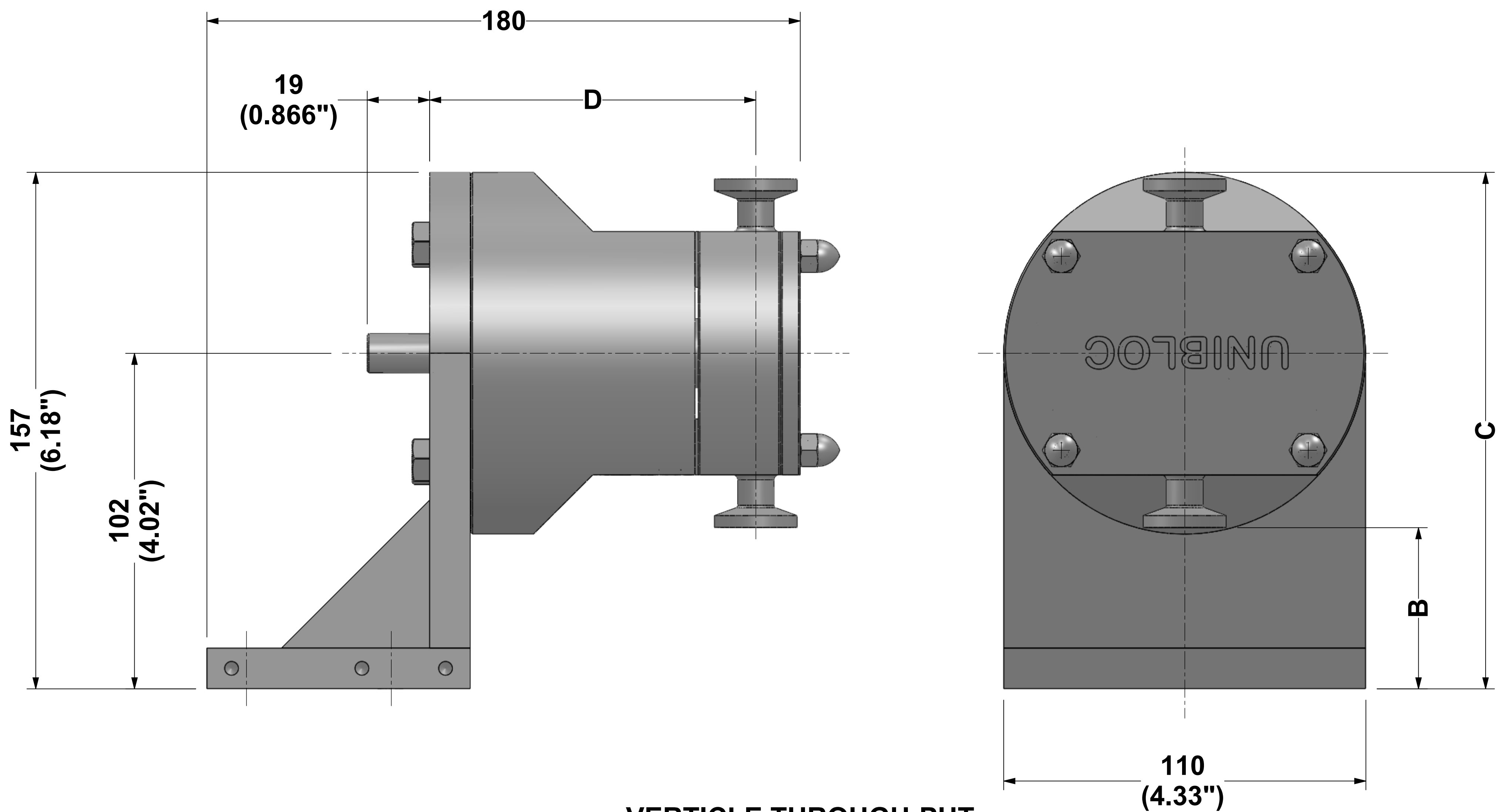


HORIZONTAL THROUGH-PUT




VERTICLE THROUGH-PUT

PORT TYPE	PORT SIZE	A		B		C		D	
		mm	in.	mm	in.	mm	in.	mm	in.
SANITARY TRICLAMP	3/8"	106	4.17	49	1.93	155	6.10	95	3.73
SANITARY TRICLAMP	1/2" (OPTIONAL)	106	4.17	49	1.93	155	6.10	95	3.73
SANITARY ISO CLAMP	DN10	102	4.02	51	2.00	153	6.02	91	3.59

THIS DRAWING AND ALL IDEAS INCORPORATED IN ITS DESIGN IS THE EXCLUSIVE PROPERTY OF UNIBLOC-PUMP, LLC. ITS ACCEPTANCE CONSTITUTES AN AGREEMENT THAT IT SHALL BE TREATED AS A CONFIDENTIAL DOCUMENT USED FOR NO OTHER PURPOSE THAN TO AID IN ITS CONSTRUCTION, THAT IT IS TO BE RETURNED UPON REQUEST, AND THAT IT IS NOT TO BE DISCLOSED OR COPIED EXCEPT AS AUTHORIZED IN WRITING BY UNIBLOC-PUMP, LLC.

BY	DATE
DRAWN	
CHECKED	
APP'D	
SCALE	
ALL DIMENSIONS IN MM	



UNIBLOC
Hygienic Technologies

DWG. TITLE		
GENERAL DIMENSIONS		
SIZE	DWG. NO.	REV. NO.
PD200-0	D200-0	0
RELEASE DATE	SHEET 1 OF 1	