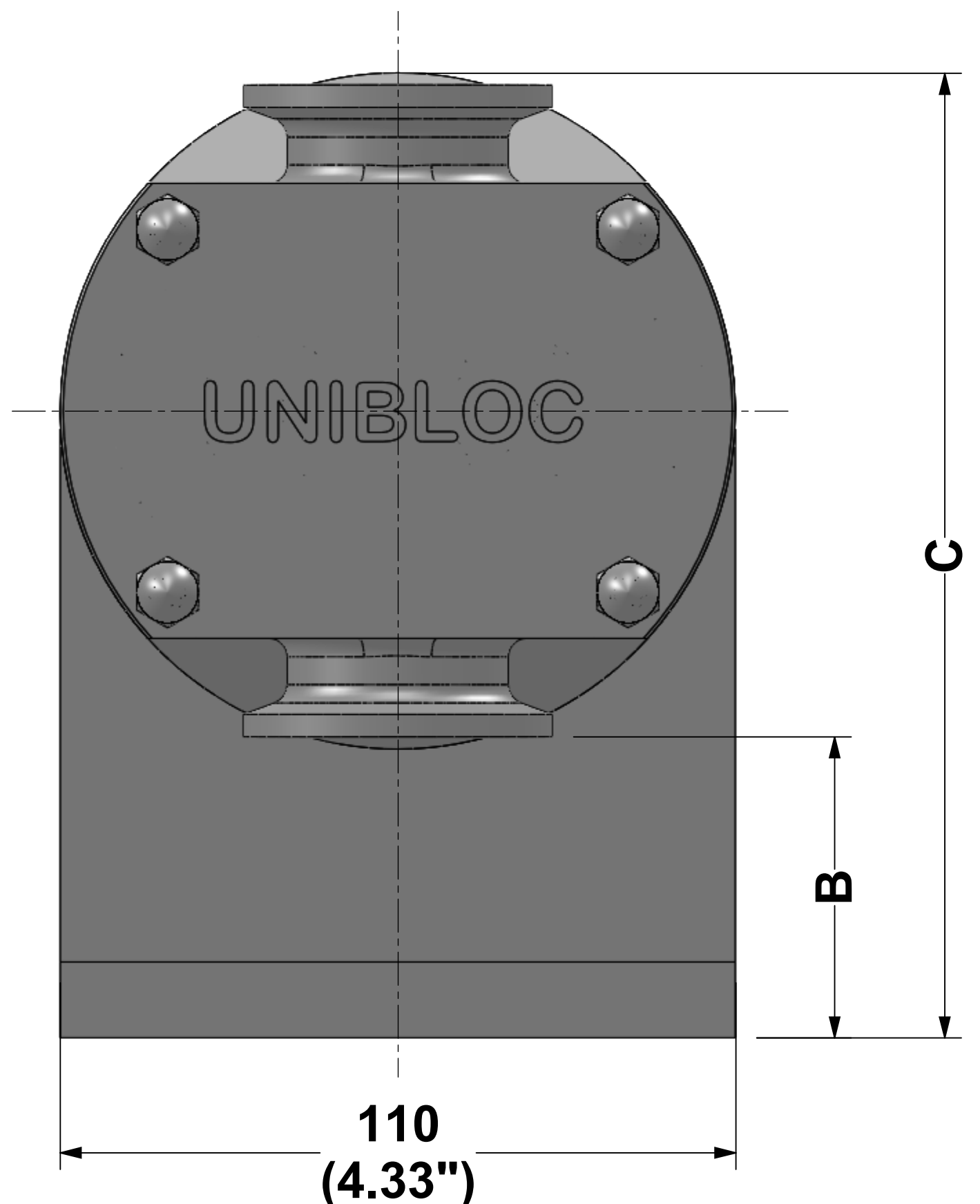
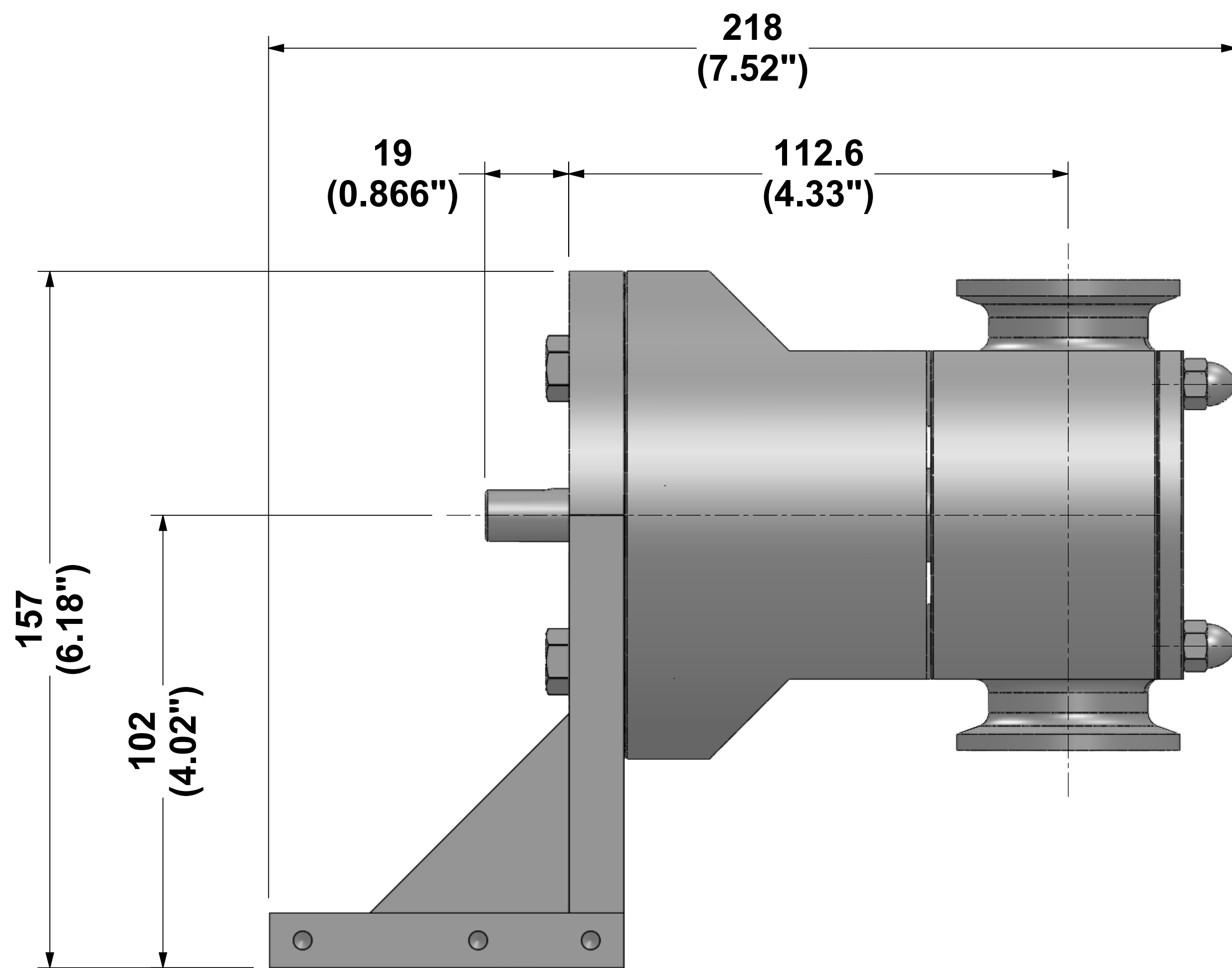


HORIZONTAL THROUGH-PUT




VERTICAL THROUGH-PUT

PORT TYPE	PORT SIZE	A		B		C	
		mm	in.	mm	in.	mm	in.
SANITARY TRICLAMP	1"	130	5.12	37	1.46	167	6.57
DN20 THREAD	DN20	130	5.12	37	1.46	167	6.57

THIS DRAWING AND ALL IDEAS INCORPORATED IN ITS DESIGN IS THE EXCLUSIVE PROPERTY OF UNIBLOC-PUMP, LLC. ITS ACCEPTANCE CONSTITUTES AN AGREEMENT THAT IT SHALL BE TREATED AS A CONFIDENTIAL DOCUMENT USED FOR NO OTHER PURPOSE THAN TO AID IN ITS CONSTRUCTION, THAT IT IS TO BE RETURNED UPON REQUEST, AND THAT IT IS NOT TO BE DISCLOSED OR COPIED EXCEPT AS AUTHORIZED IN WRITING BY UNIBLOC-PUMP, LLC.

	BY	DATE
DRAWN		
CHECKED		
APP'D		
SCALE		
ALL DIMENSIONS IN MM		



UNIBLOC
Hygienic Technologies

DWG. TITLE	
GENERAL DIMENSIONS	
SIZE	DWG. NO.
PD275	D262
RELEASE DATE	SHEET 1 OF 1