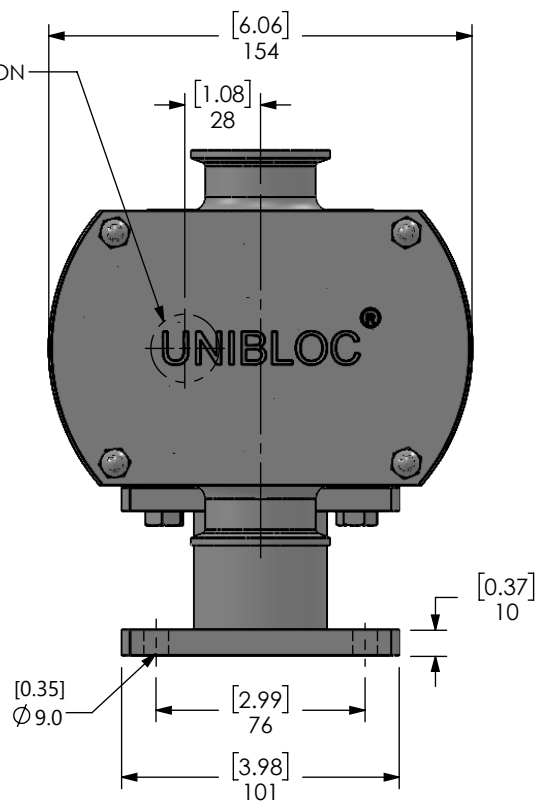


REAR SHAFT LOCATION



PORT TYPE	PORT SIZE	A		B		C	
		mm	in.	mm	in.	mm	in.
SANITARY TRICLAMP	1.5"	144	5.67	40	1.57	184	7.24
DIN 11851	DN40	140	5.91	37	1.46	187	7.36
IDF	1.5"	140	5.91	37	1.46	187	7.36
SMS 681	NW38	140	5.91	37	1.46	187	7.36
RJT	1.5"	140	5.91	37	1.46	187	7.36

THIS DRAWING AND ALL IDEAS INCORPORATED IN ITS DESIGN IS THE EXCLUSIVE PROPERTY OF UNIBLOC-PUMP, LLC. ITS ACCEPTANCE CONSTITUTES AN AGREEMENT THAT IT SHALL BE TREATED AS A CONFIDENTIAL DOCUMENT USED FOR NO OTHER PURPOSE THAN TO AID IN ITS CONSTRUCTION. THAT IT IS TO BE RETURNED UPON REQUEST, AND THAT IT IS NOT TO BE DISCLOSED OR COPIED EXCEPT AS AUTHORIZED IN WRITING BY UNIBLOC-PUMP, LLC.

DRAWN	BY	DATE
JH	JH	00/00/00
CHECKED		
APP'D		
SCALE		

ALL DIMENSIONS IN MM [IN]

UNIBLOC
Hygienic Technologies

DWG. TITLE
GENERAL DIMENSIONS

SIZE	DWG. NO.	REV. NO.
PD350	D350-52	0
RELEASE DATE	JAN. 0. 0000	SHEET 1 OF 2