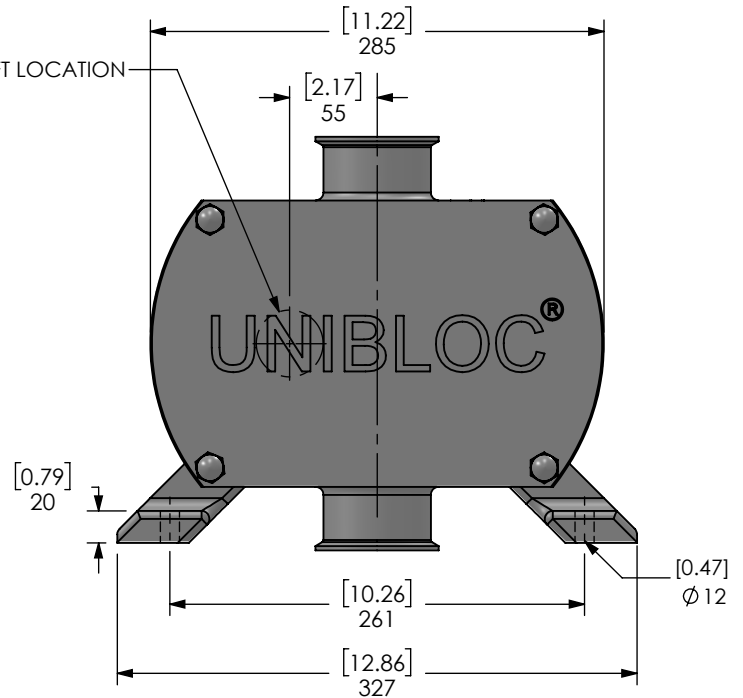


REAR SHAFT LOCATION



PORT TYPE	PORT SIZE	A	
		mm	in.
SANITARY TRICLAMP	2.5"	260	10.2
DIN 11851	DN65	260	10.2
ACME	2.5"	260	10.2
NPT	2.5"	270	10.6

THIS DRAWING AND ALL IDEAS INCORPORATED IN ITS DESIGN IS THE EXCLUSIVE PROPERTY OF UNIBLOC-PUMP, LLC. ITS ACCEPTANCE CONSTITUTES AN AGREEMENT THAT IT SHALL BE TREATED AS A CONFIDENTIAL DOCUMENT USED FOR NO OTHER PURPOSE THAN TO AID IN ITS CONSTRUCTION, THAT IT IS TO BE RETURNED UPON REQUEST, AND THAT IT IS NOT TO BE DISCLOSED OR COPIED EXCEPT AS AUTHORIZED IN WRITING BY UNIBLOC-PUMP, LLC.

DRAWN	BY	DATE
JH		00/00/00
CHECKED		
APP'D		
SCALE		

UNIBLOC
Hygienic Technologies

DWG. TITLE
GENERAL DIMENSIONS

SIZE	DWG. NO.	REV. NO.
PD501	D501	0

RELEASE DATE JAN. 0, 0000 SHEET 1 OF 2

ALL DIMENSIONS IN MM [IN]

