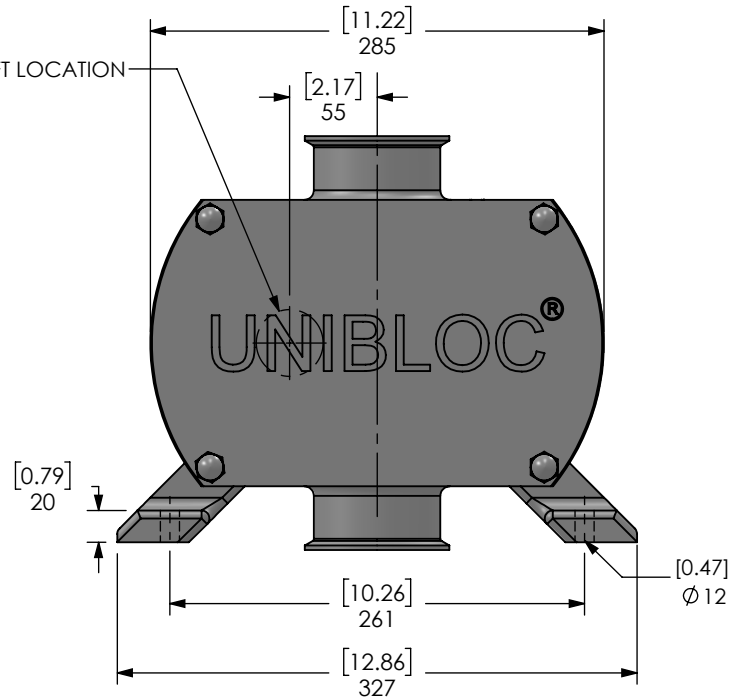



REAR SHAFT LOCATION



PORT TYPE	PORT SIZE	A	
		mm	in.
SANITARY TRICLAMP	3"	260	10.2
DIN 11851	DN65	260	10.2
IDF	3"	260	10.2
SMS 681	NW 76	260	10.2
RJT	3"	260	10.2

THIS DRAWING AND ALL IDEAS INCORPORATED IN ITS DESIGN IS THE EXCLUSIVE PROPERTY OF UNIBLOC-PUMP, LLC. ITS ACCEPTANCE CONSTITUTES AN AGREEMENT THAT IT SHALL BE TREATED AS A CONFIDENTIAL DOCUMENT USED FOR NO OTHER PURPOSE THAN TO AID IN ITS CONSTRUCTION, THAT IT IS TO BE RETURNED UPON REQUEST, AND THAT IT IS NOT TO BE DISCLOSED OR COPIED EXCEPT AS AUTHORIZED IN WRITING BY UNIBLOC-PUMP, LLC.

DRAWN	BY	DATE
APP'D	JH	00/00/00
CHECKED		
SCALE		


 UNIBLOC®
 Hygienic Technologies

DWG. TITLE
GENERAL DIMENSIONS

SIZE PD551	DWG. NO. D551	REV. NO. 0
RELEASE DATE JAN. 0, 0000	SHEET 1 OF 2	

ALL DIMENSIONS IN MM [IN]