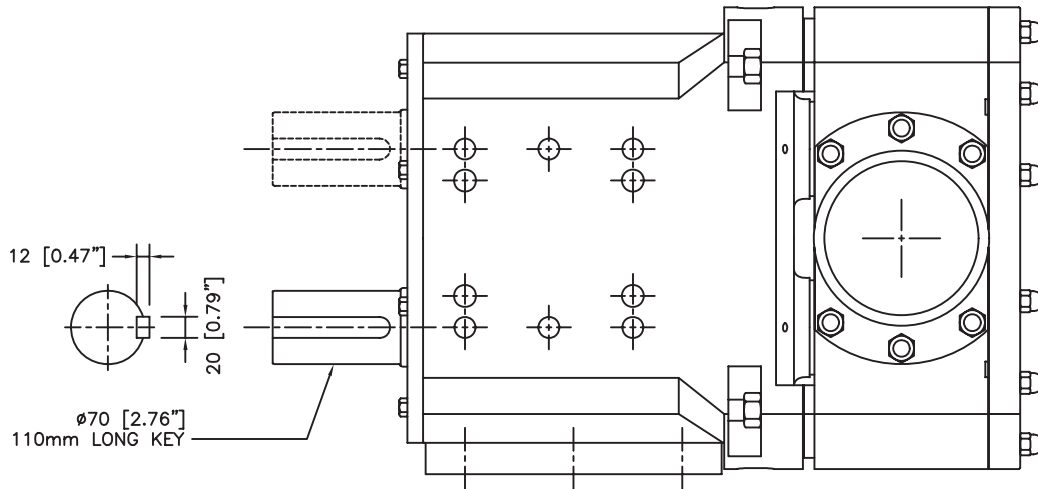
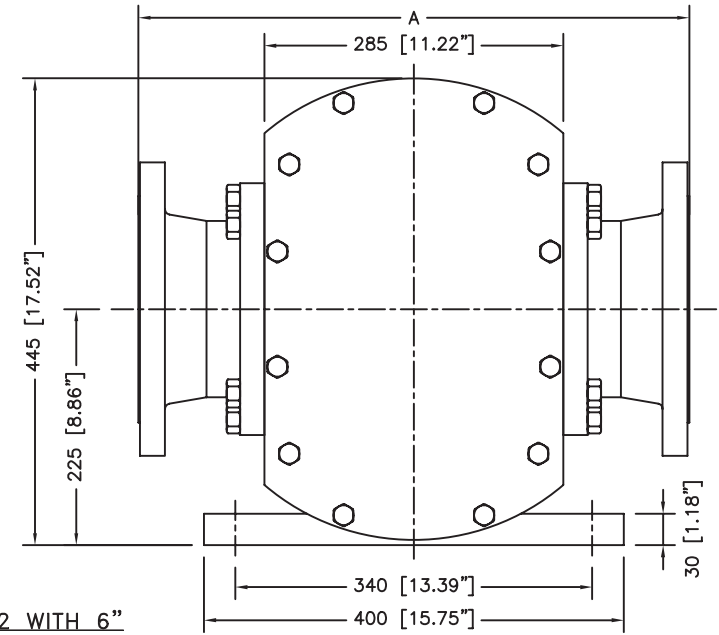
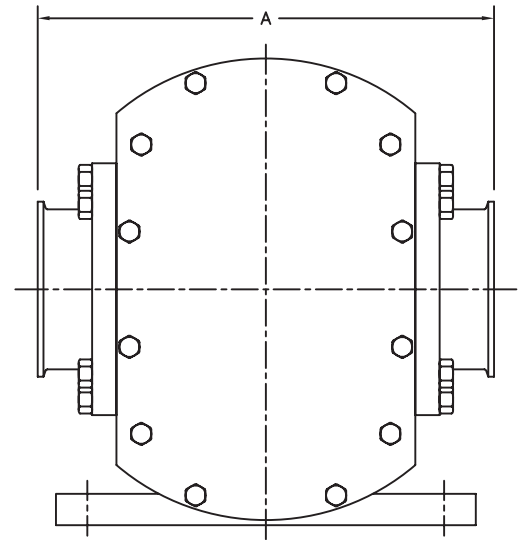


UNIBLOC 650/652 WITH 6" ANSI 150# FLANGES



UNIBLOC 650/652 WITH 6" SANITARY CLAMP FLANGES



PORT TYPE	PORT SIZE	A	
		mm	in.
SANITARY TRICLAMP	6"	435	17.1
ACME	6"	435	17.1
DIN 11851	DN150	435	17.1
ANSI 150# FLANGE	6"	525	20.7
ANSI 300# FLANGE	6"	525	20.7
DIN 16 BAR FLANGE	DN150	525	20.7

THIS DRAWING AND ALL IDEAS INCORPORATED IN ITS DESIGN IS THE EXCLUSIVE PROPERTY OF FLOWTECH, INC. ITS ACCEPTANCE CONSTITUTES AN AGREEMENT THAT IT SHALL BE TREATED AS A CONFIDENTIAL DOCUMENT USED FOR NO OTHER PURPOSE THAN TO AID IN ITS CONSTRUCTION, THAT IT IS TO BE RETURNED UPON REQUEST, AND THAT IT IS NOT TO BE DISCLOSED OR COPIED EXCEPT AS AUTHORIZED IN WRITING BY TEKNOFLOW, INC./FLOWTECH DIV.

DRAWN	BY	DATE
CHECKED		
APP'D		
SCALE	1:3.5	

**UNIBLOC**  
Hygienic Technologies

DWG. TITLE  
**GENERAL DIMENSIONS**

SIZE **650/652** DWG. NO.

RELEASE DATE SHEET 1 OF 1