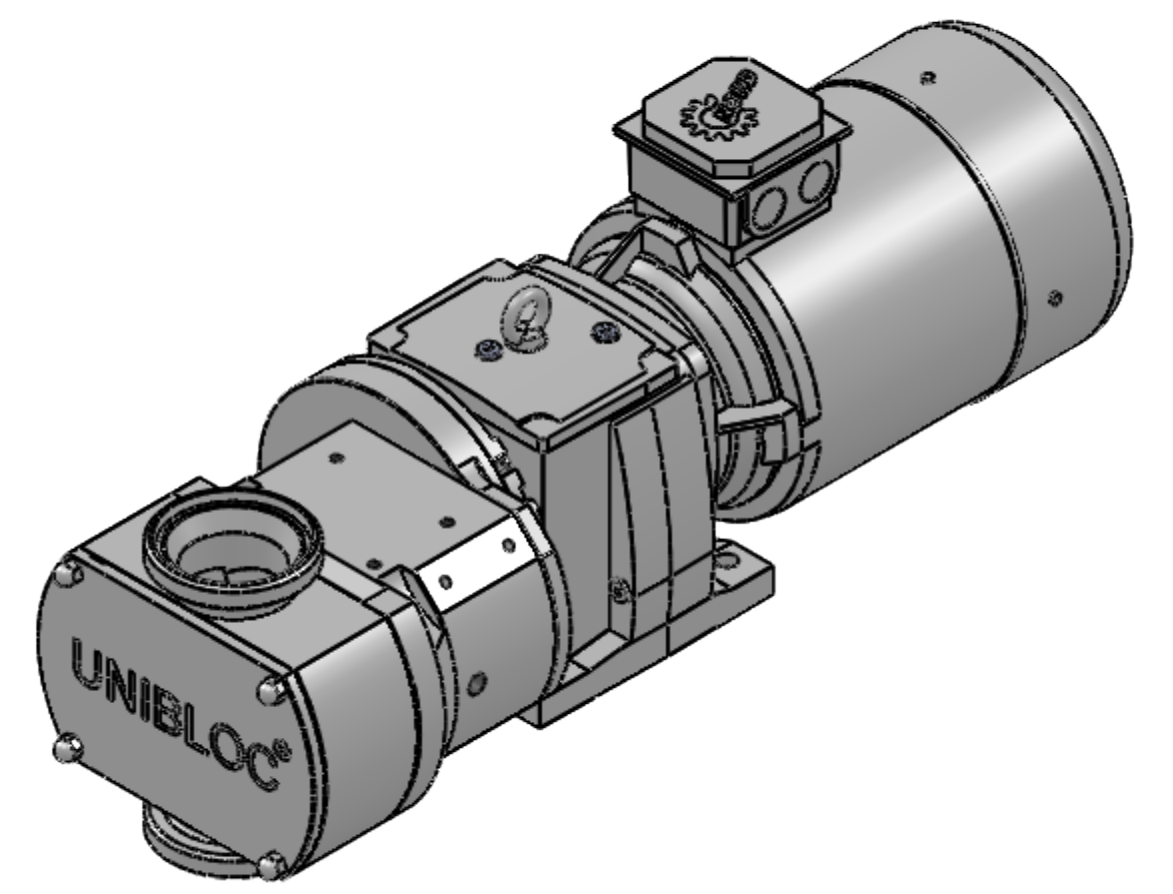
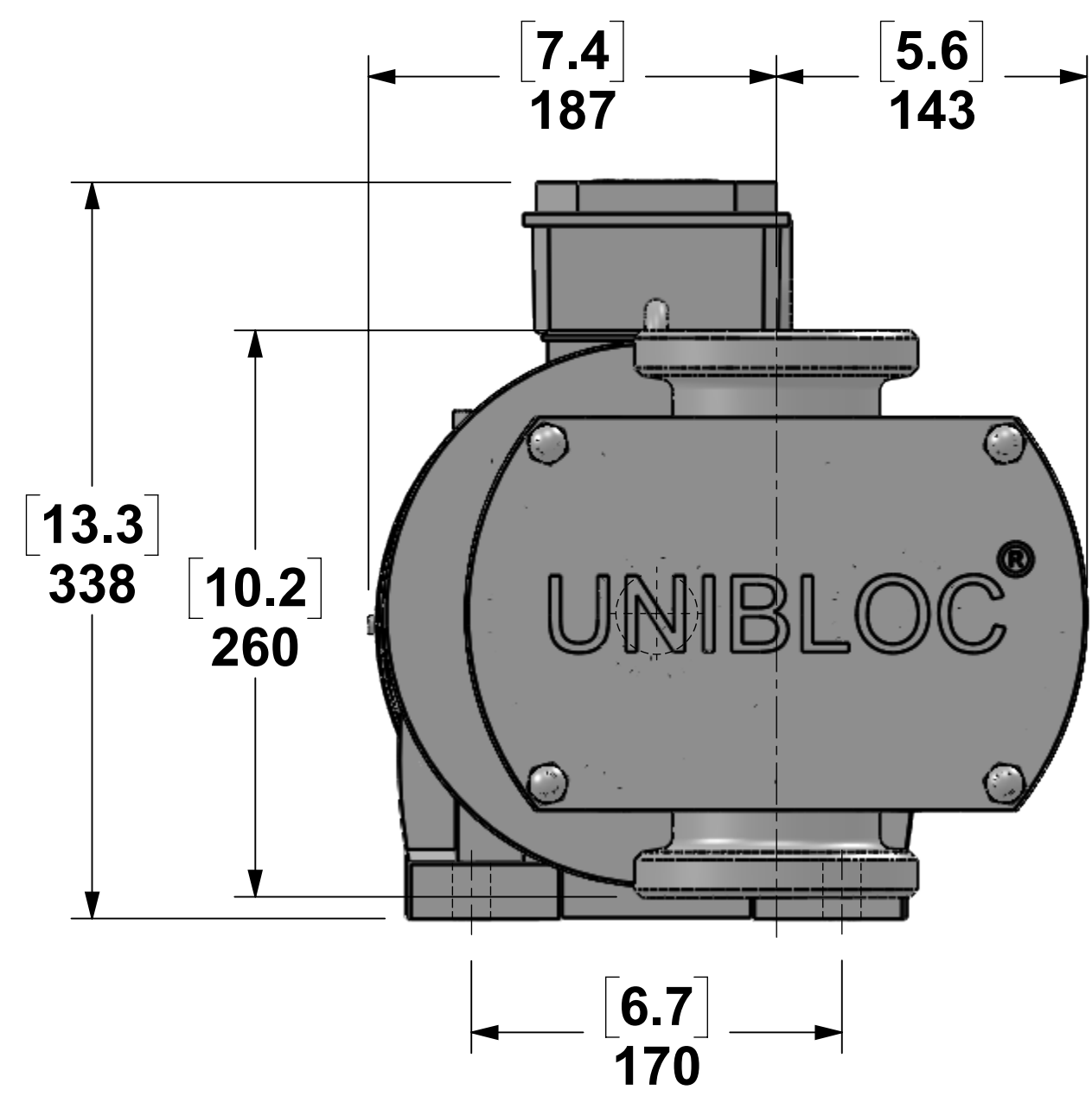
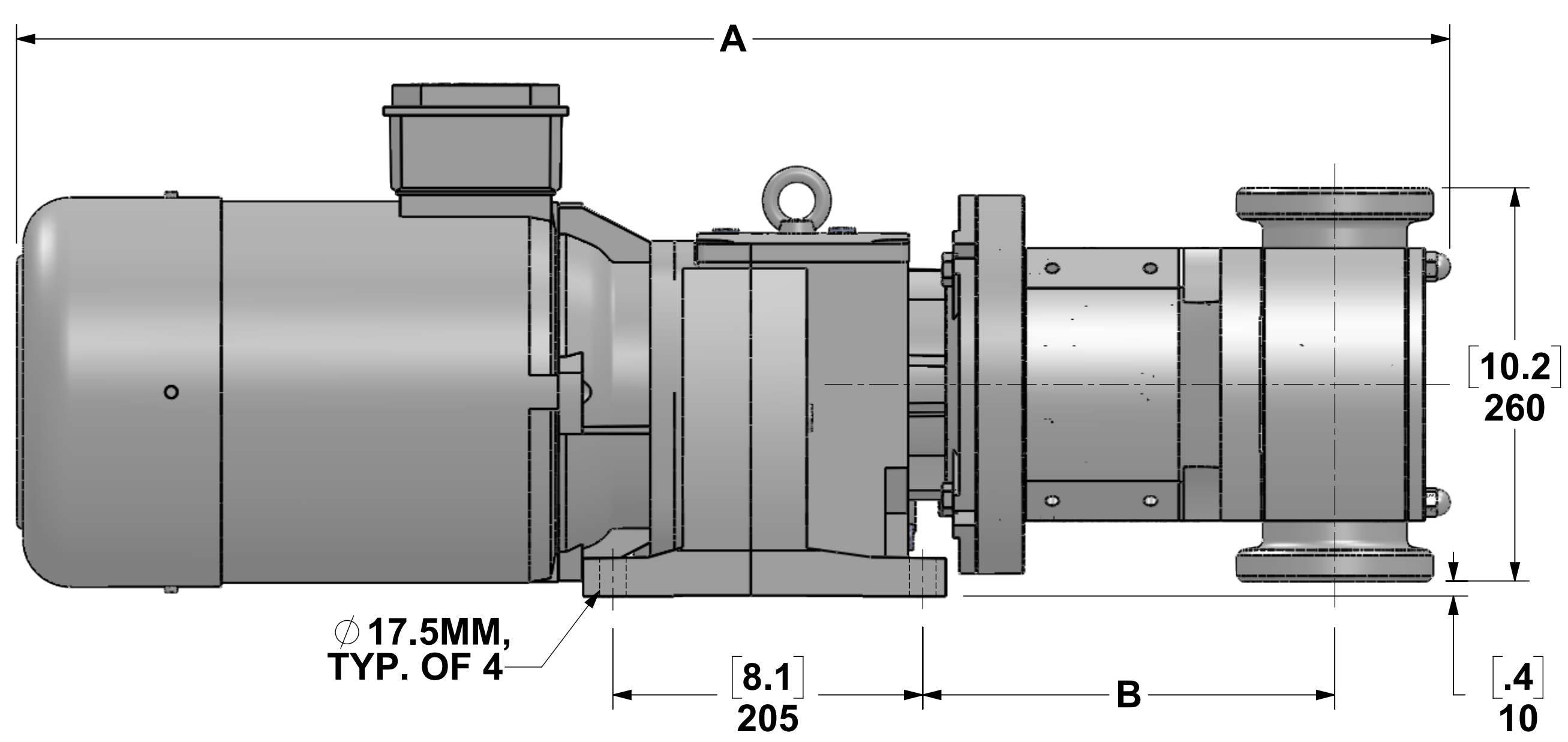


**HORIZONTAL THROUGH-PUT**



**VERTICAL THROUGH-PUT**

	UNIBLOC 501	UNIBLOC 551	UNIBLOC 576
<b>A</b>	932mm (36.7")	948mm (37.3")	967mm (38.1")
<b>B</b>	265mm (10.4")	273mm (10.7")	283mm (11.1")

\*CONNECTIONS AVAILABLE: SANITARY TRI-CLAMP, NPTM, ACME, CAM LOCK, DIN

<b>UNLESS OTHERWISE NOTED: TOLERANCES</b>		THIS DRAWING AND ALL IDEAS INCORPORATED IN ITS DESIGN IS THE EXCLUSIVE PROPERTY OF UNIBLOC-PUMP, LLC. ITS ACCEPTANCE CONSTITUTES AN AGREEMENT THAT IT SHALL BE TREATED AS A CONFIDENTIAL DOCUMENT USED FOR NO OTHER PURPOSE THAN TO AID IN ITS CONSTRUCTION, THAT IT IS TO BE RETURNED UPON REQUEST, AND THAT IT IS NOT TO BE DISCLOSED OR COPIED EXCEPT AS AUTHORIZED IN WRITING BY UNIBLOC-PUMP, LLC.	
DECIMALS 0.0 ± 0.1 0.00 ± 0.05 0.000 ± 0.005	ANGULAR 0.0° ± 0.1° 0.00° ± 0.05°	BY KL	DATE 6/16/21
MATERIAL	FINISH (UNLESS NOTED ON DWG.)	CHECKED	APP'D
WEIGHT	SCALE 1:3	ALL DIMENSIONS IN MM	

**PATENTED DESIGN**



DWG. TITLE <b>FLANGE MOUNT GEN. DIMS.</b>		
SIZE <b>501,551,576</b>	DWG. NO. <b>D501SF-001</b>	REV. NO. <b>0</b>
RELEASE DATE JUN. 16, 2021	SHEET 1 OF 2	