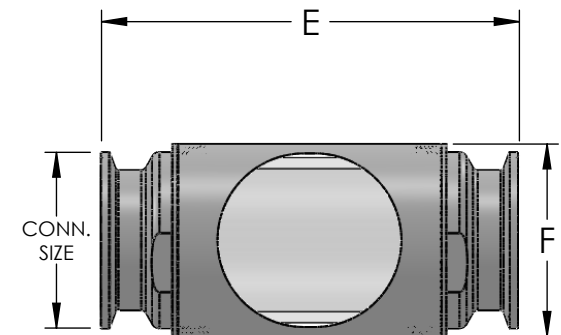
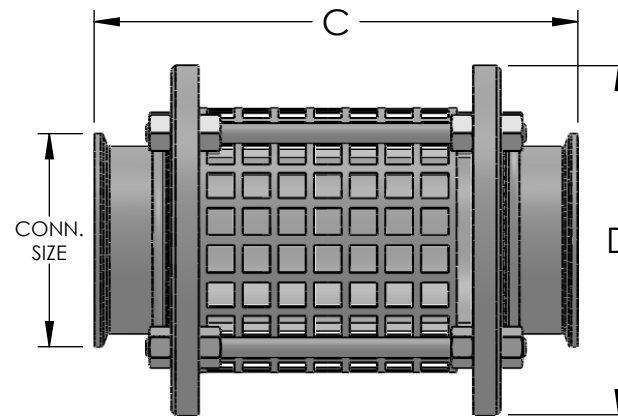
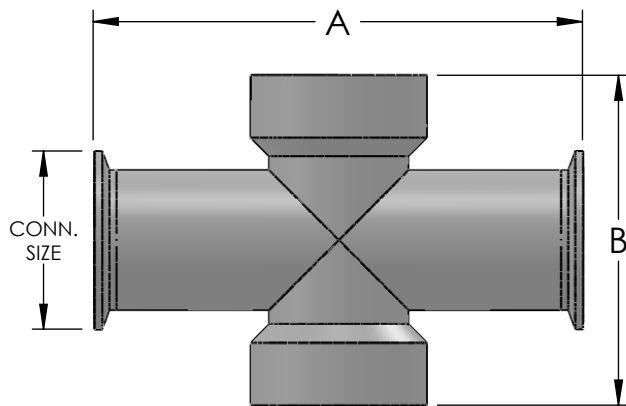


#52 BULLS-EYE SIGHTGLASS				
CONN. SIZE	A		B	
	mm	in.	mm	in.
1.5"	145	5.7	106	4.2
2.0"	178	7.0	120	4.7
2.5"	178	7.0	145	5.7
3.0"	190	7.5	162	6.4
4.0"	228	9.0	199	7.8

#53 IN-LINE SIGHTGLASS				
CONN. SIZE	C		D	
	mm	in.	mm	in.
2.5"	175	6.9	124	5.0
3.0"	195	7.7	142	5.6
4.0"	204	8.0	162	6.4
6.0"	305	12.0	226	8.9

#53A IN-LINE SIGHTGLASS				
CONN. SIZE	E		F	
	mm	in.	mm	in.
0.5"	135	5.3	27	1.1
0.75"	135	5.3	34	1.3
1.0"	135	5.3	42	1.7
1.5"	152	6.0	60	2.4
2.0"	152	6.0	70	2.8



THIS DRAWING AND ALL IDEAS INCORPORATED IN ITS DESIGN IS THE EXCLUSIVE PROPERTY OF UNIBLOC-PUMP, LLC. ITS ACCEPTANCE CONSTITUTES AN AGREEMENT THAT IT SHALL BE TREATED AS A CONFIDENTIAL DOCUMENT USED FOR NO OTHER PURPOSE THAN TO AID IN ITS CONSTRUCTION, THAT IT IS TO BE RETURNED UPON REQUEST, AND THAT IT IS NOT TO BE DISCLOSED OR COPIED EXCEPT AS AUTHORIZED IN WRITING BY UNIBLOC-PUMP, LLC.



DRAWN	JH	4/12/21
CHECKED		
APP'D		
SCALE		

DWG. TITLE		
#52-#53A SIGHT GLASSES		
SIZE	DWG. NO.	REV. NO.
52-53A	D5253A	0