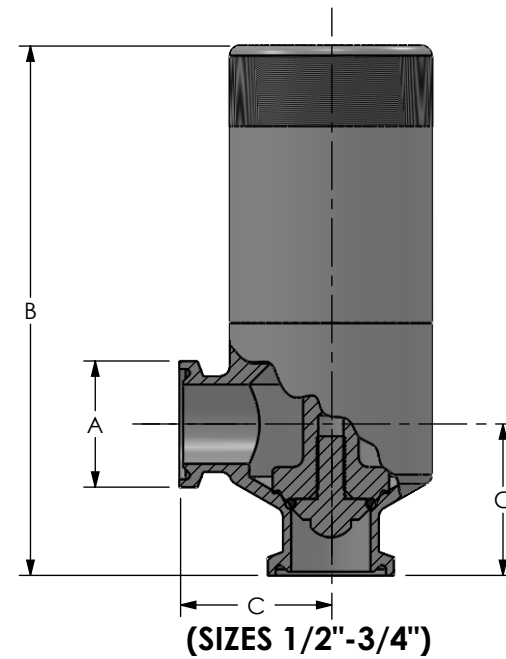


A	B		C	
	mm.	in.	mm.	in.
1/2"	104	4.10	30	1.18
3/4"	104	4.10	30	1.18
1"	285	11.2	70	2.75
1 1/2"	285	11.2	70	2.75
2"	335	13.2	89	3.50
2 1/2"	335	13.2	89	3.50
3"	414	16.3	159	6.25
4"	434	17.1	159	6.25
6"	770	30.3	138	5.43

*STANDARD 316L WET END COMPONENTS



THIS DRAWING AND ALL IDEAS INCORPORATED IN ITS DESIGN IS THE EXCLUSIVE PROPERTY OF UNIBLOC PUMP, LLC. ITS ACCEPTANCE CONSTITUTES AN AGREEMENT THAT IT SHALL BE TREATED AS A CONFIDENTIAL DOCUMENT USED FOR NO OTHER PURPOSE THAN TO AID IN ITS CONSTRUCTION, THAT IT IS TO BE RETURNED UPON REQUEST, AND THAT IT IS NOT TO BE DISCLOSED OR COPIED EXCEPT AS AUTHORIZED IN WRITING BY UNIBLOC PUMP, LLC.



DRAWN	BY	DATE
		6/16/21
CHECKED		
APP'D		
SCALE		

DWG. TITLE		
PRESSURE RELIEF VALVE		
SIZE	DWG. NO.	REV. NO.
0.5"-6.0"	D46-001	0
RELEASE DATE	SHEET 1 OF 2	
NOV.9,2003		