

## Technical Specifications



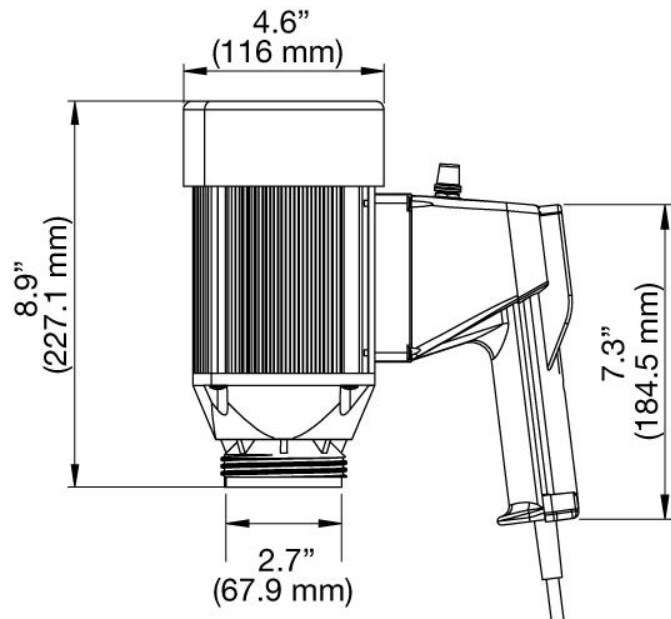
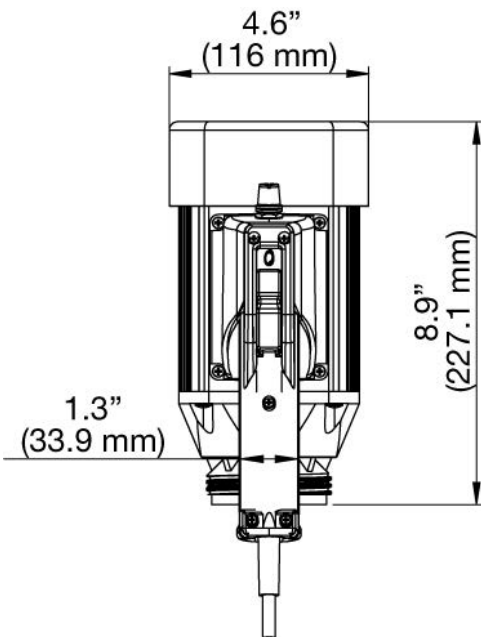
RECOGNIZED COMPONENT



Intertek



<b>Enclosure:</b> .....	Open Drip Proof (IP44)
<b>Available Voltage:</b> .....	<b>SP-280P &amp; SP-280P-V :</b> 110V
.....	<b>SP-280P-2, SP-280P-2-V, SP-280P-2-NL &amp; SP-280P-2-VNL :</b> 220V
<b>Horsepower (Watts):</b> .....	1.1 (825)
<b>Phase:</b> .....	1
<b>Amps:</b> .....	2.5 - 8 (varies by voltage)
<b>Frequency:</b> .....	50-60 Hz
<b>Insulation Class:</b> .....	F2
<b>Certification:</b> .....	ETL (110V) or CE (220V)
<b>Housing Material:</b> .....	Thermoplastic Polyester Resin
<b>Power Cord Length:</b> .....	16 ft. (4,8 m)
<b>Power Cord Plug Type:</b> .....	NEMA 5-15-P (110V) or CEE 7/7 (220V)
<b>Noise Level:</b> .....	84 dBa
<b>Low Voltage Release:</b> .....	<b>SP-280P-2 &amp; SP-280P-2-V :</b> Yes
.....	<b>SP-280P, SP-280P-V, SP-280P-2NL &amp; SP-280P-2-VNL :</b> No
<b>Thermal Overload:</b> .....	Yes
<b>Variable Speed:</b> .....	<b>SP-280P-V, SP-280P-2-V, &amp; SP-280P-2-VNL :</b> Yes
.....	<b>SP-280P, SP-280P-2 &amp; SP-280P-2NL :</b> No
<b>Weight:</b> .....	10 lbs (4,5 kg)



**WARNING:** Not suitable for pumping flammable or combustible liquids or use in a hazardous duty environment.

**Note:** Not recommended for use with the SP-700SR or 800SR Series pump.