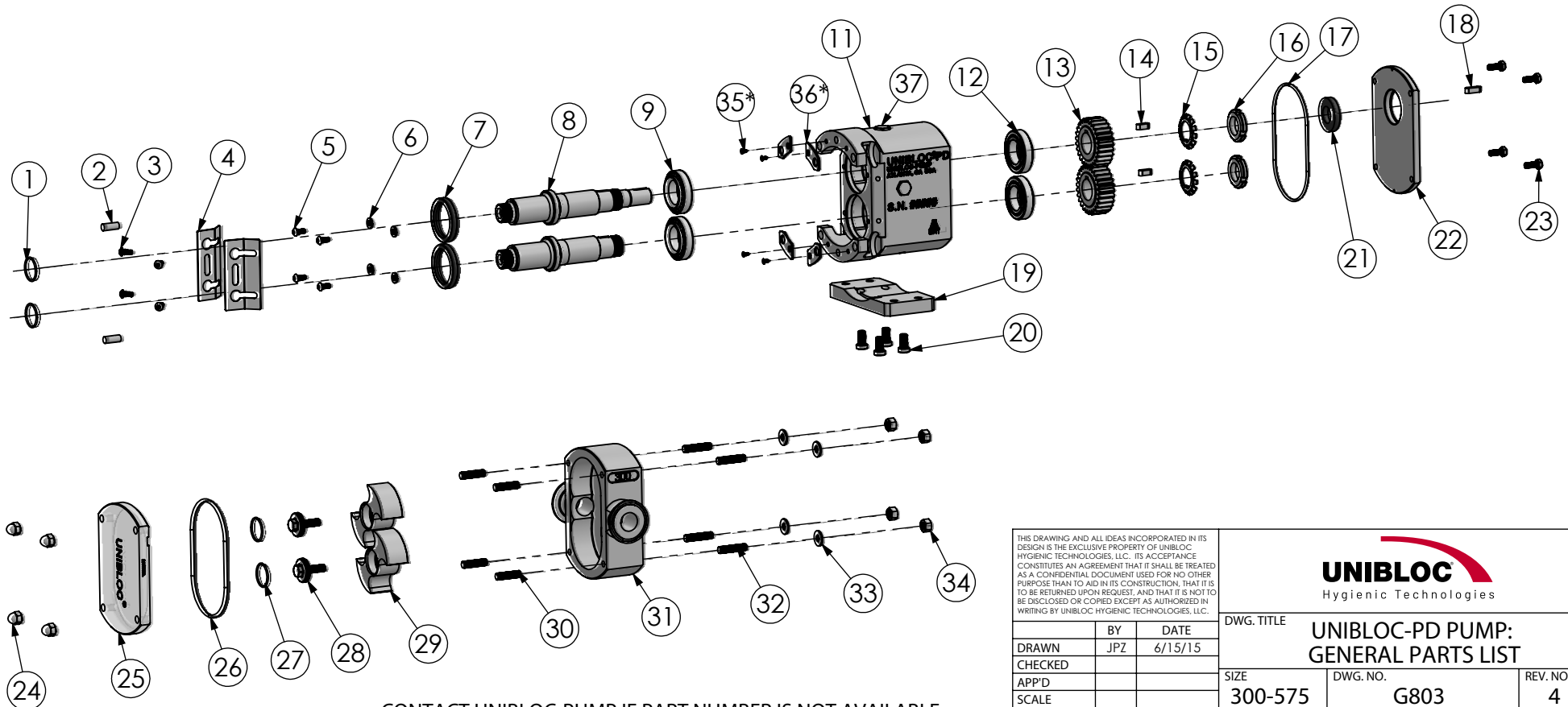


ITEM NO.	DESCRIPTION	PART NO.			QTY.
1	O-RING (SHAFT)	4213	4223	4233	2
2	DOWEL PIN	DPM8x20	DPM8x20	DPM12x30	2
3	BUTTON HEAD CAP SCREW	BHM6x8	BHM6x8	BHM6x8	4
4	SHAFT GUARD	8005	8010	8015	2
5	BUTTON HEAD CAP SCREW	BHM6x8	BHM6x8	BHM6x8	4
6	WASHER	OWM6	OWM8	OWM8	4
7	FRONT OIL SEAL	4115	4125	4135	2
8	SHAFT	---	---	---	2
9	FRONT BEARING	3755	3760	3765	2
11	BEARING HOUSING	3512	3522	3531	1
12	REAR BEARING	3755	3760	3765	2
13	TIMING GEAR	3606	3611	3616	2
14	SHAFT KEY (TIMING GEAR)	4705	4710	4715	2
15	TAB WASHER (TIMING GEAR)	4505	4510	4515	2
16	SLOTTED NUT (TIMING GEAR)	4412	4422	4432	2
17	O-RING (BEARING HOUSING COVER)	4211	4220	4231	1
18	SHAFT KEY (DRIVE SHAFT)	4706	4711	4716	1
19	FOOT	3806	3810	3816	1
	PUMP SERIES	300-350	400-450	500-575	

ITEM NO.	DESCRIPTION	PART NO.			QTY.
20	SOCKET BOLT	SBM8x16	SMB10x20	SBM10x25	4
21	REAR OIL SEAL	4110	4120	4130	1
22	BEARING HOUSING COVER	3560	3570	3580	1
23	HEX BOLT	HBM6x16	HBM6x16	HBM10x25	4
24	DOME NUT	DNM8	DNM10	DNM12	4
25	ROTOR HOUSING COVER	3210	3220	3230	1
26	O-RING (ROTOR HOUSING COVER)	4210	4220	4230	1
27	O-RING (ROTOR BOLT)	4212	4222	4232	2
28	ROTOR BOLT (HEX HEAD/SLOTTED)	3360/3361	3370/3371	3380/3381	2
29	ROTOR	---	---	---	2
30	STUD (ROTOR HOUSING: FRONT)	SM8x20	SM10x25	SM12x30	4
31	ROTOR HOUSING	---	---	---	1
32	STUD (ROTOR HOUSING: REAR)	SM8x25	SM10x40	SM12x40	4
33	WASHER	WM8	WM10	WM12	4
34	HEX NUT	NM8	NM10	NM12	4
35*	FLAT HEAD SCREW: M3x6	FHM3x6	FHM3x6	FHM3x6	4 or 8
36*	SHIM (EXTERNAL)	3656	3666	3674	4
37	OIL PLUG	---	---	---	2
	PUMP SERIES	300-350	400-450	500-575	

\* PARTS WILL NOT BE ON SOME PUMP ASSEMBLIES



CONTACT UNIBLOC-PUMP IF PART NUMBER IS NOT AVAILABLE

THIS DRAWING AND ALL IDEAS INCORPORATED IN ITS DESIGN IS THE EXCLUSIVE PROPERTY OF UNIBLOC HYGIENIC TECHNOLOGIES, LLC. ITS ACCEPTANCE CONSTITUTES AN AGREEMENT THAT IT SHALL BE TREATED AS A CONFIDENTIAL DOCUMENT USED FOR NO OTHER PURPOSE THAN TO AID IN ITS CONSTRUCTION, THAT IT IS TO BE RETURNED UPON REQUEST, AND THAT IT IS NOT TO BE DISCLOSED OR COPIED EXCEPT AS AUTHORIZED IN WRITING BY UNIBLOC HYGIENIC TECHNOLOGIES, LLC.

DRAWN	BY	DATE
JPZ	JPZ	6/15/15
CHECKED		
APP'D		
SCALE		

UNIBLOC Hygienic Technologies		
DWG. TITLE <b>UNIBLOC-PD PUMP: GENERAL PARTS LIST</b>		
SIZE <b>300-575</b>	DWG. NO. <b>G803</b>	REV. NO. <b>4</b>
RELEASE DATE JUN. 18, 2021	SHEET 1 OF 1	