

ITEM	DIRECTIONAL ARROW
	13
1.0"-3.0"	430018-104
4.0"-6.0"	430019-104

#43 BUTTERFLY VALVE COMPONENTS: 0.75"-10.0"

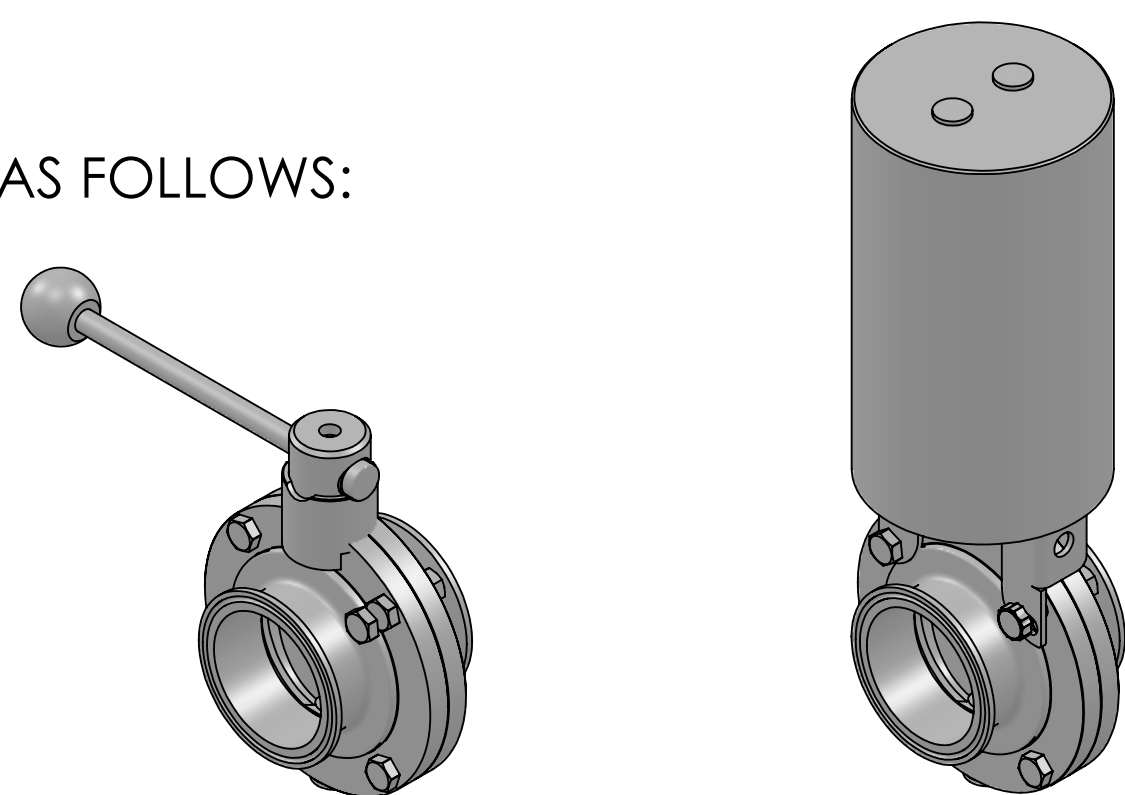
ITEM	CLAMP BODY	WELD BODY	DISC	SEAL SEAT	BOLTS	HANDLE	HANDLE	HANDLE	SCREW	ACTUATOR	NUTS	BRACKET	COUPLING
	1a	1b	2	3	4	5	6	7	8	9	10	11	12
0.75"	430010	430049	430029	430001	M8 x 30	430064	430068	430076	4356-2	104	M8	430020	430017-104
PCS.	2	2	1	1	4	1	1	1	1	1	6	1	1
1.0"	430036	430050	430029	430001	M8 x 30	430064	430068	430076	4356-2	104	M8	430020	430017-104
PCS.	2	2	1	1	4	1	1	1	1	1	6	1	1
1.5"	430037	430051	430030	430002	M8 x 30	430064	430068	430076	4356-2	104	M8	430021	430017-104
PCS.	2	2	1	1	4	1	1	1	1	1	6	1	1
2.0"	430038	430052	430031	430003	M8 x 30	430064	430068	430076	4347-2	104	M8	430022	430017-104
PCS.	2	2	1	1	4	1	1	1	1	1	6	1	1
2.5"	430039	430053	430032	430004	M8 x 30	430064	430068	430076	4357-2	104	M8	430023	430017-104
PCS.	2	2	1	1	4	1	1	1	1	1	6	1	1
3.0"	430040	430054	430033	430005	M8 x 35	430065	430069	430077	4347-2	104	M8	430024	430017-104
PCS.	2	2	1	1	6	1	1	1	1	1	8	1	1
4.0"	430041	430055	430034	430006	M8 x 35	430066	430070	430078	4347-2	104	M8	430025	N/A.
PCS.	2	2	1	1	6	1	1	1	1	1	8	1	0
6.0"	430042	430056	430035	430007	M10 x 50	430067	430071	430079	4348-2	129	M10	430026	N/A
PCS.	2	2	1	1	6	1	1	1	1	1	8	1	0
8.0"	430043	430057	430036	430008	M10 x 50	430080	430072	430083	4349-2	---	M10	430027	N/A
PCS.	2	2	1	1	8	1	1	1	1	---	10	1	0
10.0"	430044	430058	430046	430009	M10 x 50	430081	430082	430084	4350-2	---	M10	430028	N/A
PCS.	2	2	1	1	8	1	1	1	1	---	10	1	0

NOTES:

1. SEAL MATERIALS ARE SPECIFIED AS FOLLOWS:

- #-E (EPDM) #-V (VITON)
- #-S (SILICONE)

- 2. Item No. 1a and 1b comes in 304 SS or 316L SS
- Item No. 2 in 316L SS
- Item No. 4 in 304 SS
- Item No. 5-7 in 304 SS
- Item No. 8 in 18-8 SS
- Item No. 9-10 in 304 SS
- Item No. 11 in 316L SS
- Item No. 12 in 304 SS



VALVE WITH HANDLE

VALVE WITH ACTUATOR

THIS DRAWING AND ALL IDEAS INCORPORATED IN ITS DESIGN IS THE EXCLUSIVE PROPERTY OF UNIBLOC HYGIENIC TECHNOLOGIES, LLC. ITS ACCEPTANCE CONSTITUTES AN AGREEMENT THAT IT SHALL BE TREATED AS A CONFIDENTIAL DOCUMENT USED FOR NO OTHER PURPOSE THAN TO AID IN ITS CONSTRUCTION, THAT IT IS TO BE RETURNED UPON REQUEST, AND THAT IT IS NOT TO BE DISCLOSED OR COPIED EXCEPT AS AUTHORIZED IN WRITING BY UNIBLOC HYGIENIC TECHNOLOGIES, LLC.

DRAWN	BY	DATE
CHECKED		
APP'D		
SCALE		

ALL DIMENSIONS IN MM



DWG. TITLE **#43 BUTTERFLY VALVE COMPONENTS**

SIZE	DWG. NO.	REV. NO.
0.75" - 10.0"	430994	6

RELEASE DATE JAN. 12, 2021 SHEET 1 OF 2