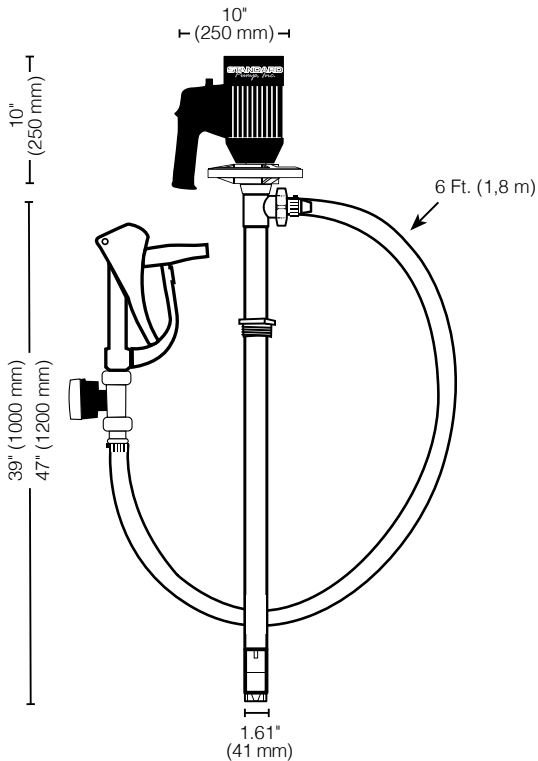




Technical Specifications

- Package Includes:**..... Motor, Pump Tube, Hose, Storage Bracket, Flow Meter, Barrel Adapter & Hand Nozzle
- Motor Type:**..... Open Drip Proof (IP44)
- Pump Tube Material:**.. Polypropylene, Hastelloy C-276, Carbon Graphite
- Immersion Length:**..... 39" (1000 mm) or 47" (1200 mm)
- Discharge Hose:**PVC, 6 ft (1,8 m), 1" (25 mm) I.D.
- Hand Nozzle Material:**Polypropylene, Viton
- Flow Meter Material:** Polypropylene, PVDF, Viton, Halar, Ceramic
- Flow Meter Type:**.....Digital / Battery Powered Totalizer
- Maximum Flow Rate:**..... 13.5 GPM (51 LPM) *based on water*
- Maximum Viscosity:** 300 cps (mPas)
- Maximum Temperature:** 130° F (55° C)
- Shipping Weight:**..... 23 lbs. (10,43 kg)



RECOGNIZED COMPONENT



Intertek



DRUMS

Package P/N	Motor	Volts	Pump Tube
9500	SP-280P-V	110V	SP-PP-39
9501	SP-280P-2-V	220V	SP-PP-39

TANKS

Package P/N	Motor	Volts	Pump Tube
9502	SP-280P-V	110V	SP-PP-47
9503	SP-280P-2-V	220V	SP-PP-47



Warning: This pump is not suitable for use with Flammable/Combustible liquids.

*Note: When pumping viscosities over 1,000 cps, pump must be used intermittently to avoid potential premature failure and/or damage.