



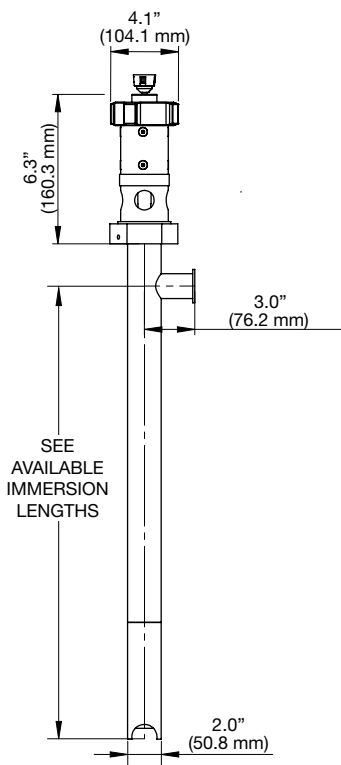
## Common Applications

- Pie Fillings
- Chocolate
- Juice Concentrates
- Lotions
- Sauces
- Shampoo



## Technical Specifications

<b>Pump Design:</b> .....	Progressive Cavity / Positive Displacement
<b>Discharge:</b> .....	1 1/2" Tri-Clamp®
<b>Wetted Materials:</b> .....	SS316, SiC/Viton & PTFE
<b>Motor Drive Options:</b> .....	110V & 220V 1 Ph, 220V Explosion Proof
<b>Maximum Viscosity:</b> .....	<b>751 &amp; 752 Series :</b> 25,000 cps (mPas)*
.....	<b>1851 Series :</b> 10,000 cps (mPas)*
<b>Maximum Discharge Pressure:</b> .....	<b>751 &amp; 1851 Series :</b> 87 psi (6 bar)
.....	<b>752 Series :</b> 174 psi (12 bar)
<b>Maximum Flow Rate (based on water)</b> .....	<b>1851 Series :</b> 12 gpm (45,4 lpm)
.....	<b>751 &amp; 752 Series :</b> 7 gpm (26,5 lpm)
<b>Maximum Temperature:</b> .....	PTFE Stator : 300°F (149°C)
<b>Duty Cycle:</b> .....	Intermittent (30 min intervals)
<b>Available Immersion Lengths:</b> .....	39" (1000 mm) & 47" (1200 mm)
<b>Maximum Particulate Size (Dia.):</b> .....	1/4" (6,35 mm)
<b>Surface Finish:</b> .....	32 Ra
<b>Bag Liner Series:</b> .....	Optional pump intake designed for application with hygienic bag liners

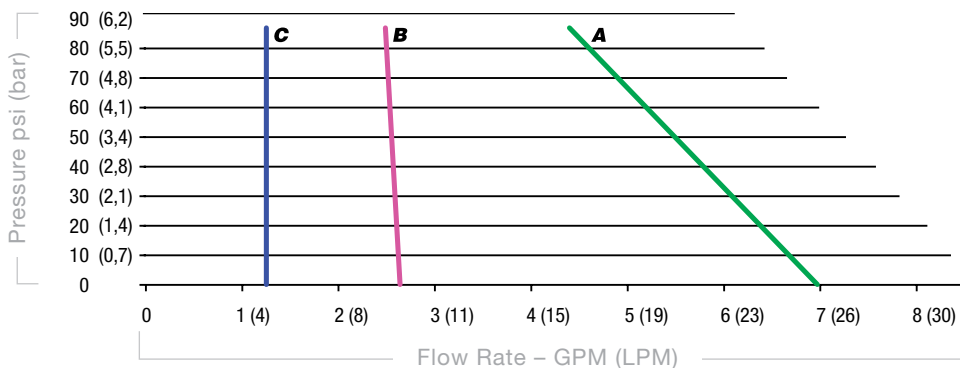


Bag Liner Series  
Pump Intake

**Warning:** When pumping flammable or combustible liquids, pump tube must be used in conjunction with an explosion proof motor.  
**\*Note:** Consult factory regarding products that are sticky in nature as the maximum rated viscosity of this pump may be lower for these types of products.

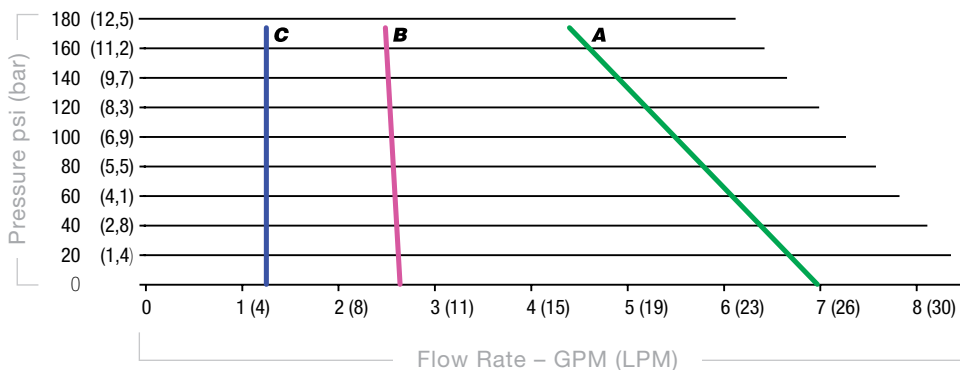
## Performance Curves

### 751 Series Pumps



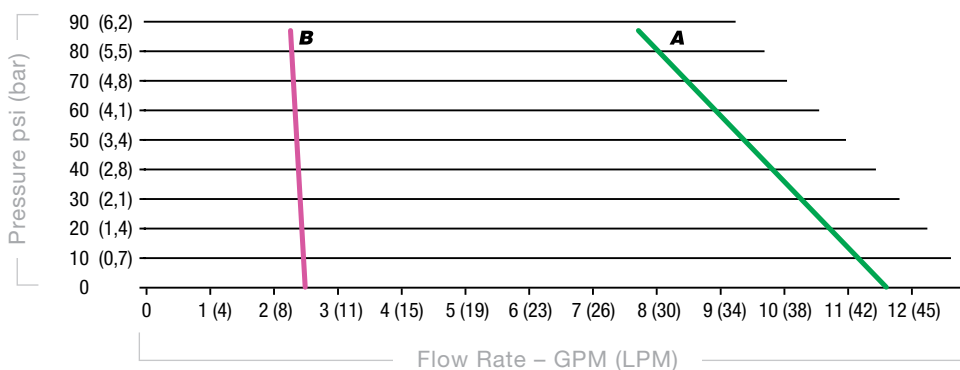
Viscosity cps (mPas)	Electric Motor
A 1	SP-ENC Series, SP-400 Series
B 10,000	SP-ENC Series, SP-400 Series
C 25,000	SP-ENC Series, SP-400 Series

### 752 Series Pumps



Viscosity cps (mPas)	Electric Motor
A 1	SP-ENC Series, SP-400 Series
B 10,000	SP-ENC Series, SP-400 Series
C 25,000	SP-ENC Series, SP-400 Series

### 1851 Series Pumps



Viscosity cps (mPas)	Electric Motor
A 1	SP-ENC Series, SP-400 Series
B 10,000	SP-ENC Series, SP-400 Series