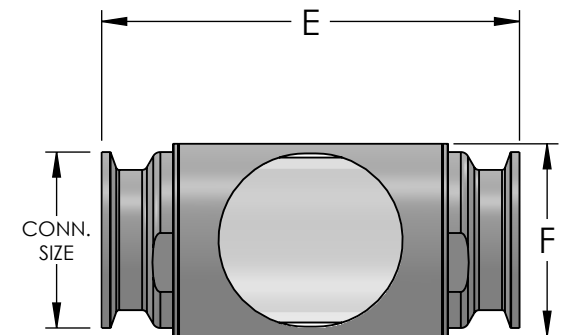
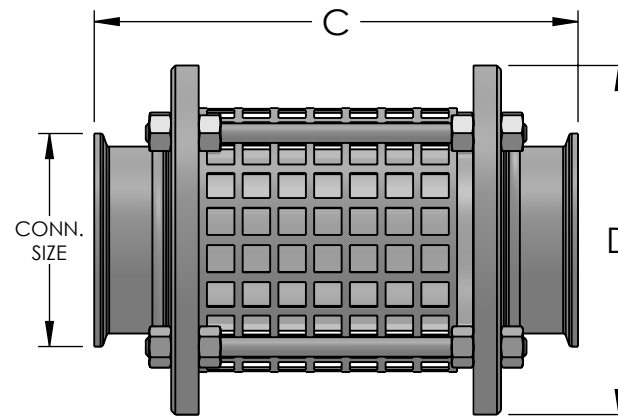
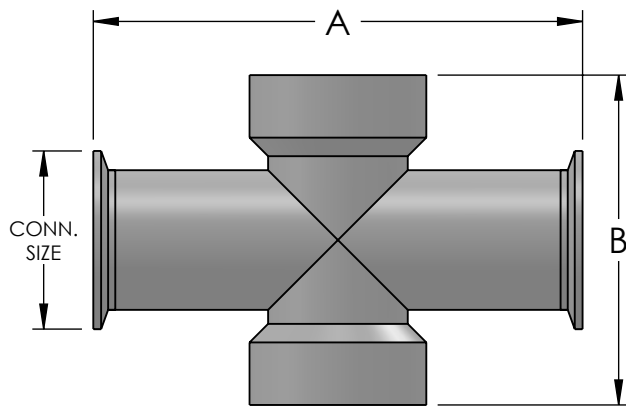


#52 BULLS-EYE SIGHTGLASS				
CONN. SIZE	A		B	
	mm	in.	mm	in.
1.5"	145	5.7	106	4.2
2.0"	178	7.0	120	4.7
2.5"	178	7.0	145	5.7
3.0"	190	7.5	162	6.4
4.0"	228	9.0	199	7.8

#53 IN-LINE SIGHTGLASS				
CONN. SIZE	C		D	
	mm	in.	mm	in.
2.5"	175	6.9	124	5.0
3.0"	195	7.7	142	5.6
4.0"	204	8.0	162	6.4
6.0"	305	12.0	226	8.9

#53A IN-LINE SIGHTGLASS				
CONN. SIZE	E		F	
	mm	in.	mm	in.
0.5"	135	5.3	27	1.0
0.75"	135	5.3	34	1.3
1.0"	152	6.0	42	1.7
1.5"	152	6.0	60	2.4
2.0"	152	6.0	70	2.7



THIS DRAWING AND ALL IDEAS INCORPORATED IN ITS DESIGN IS THE EXCLUSIVE PROPERTY OF UNIBLOC HYGIENIC TECHNOLOGIES, LLC. ITS ACCEPTANCE CONSTITUTES AN AGREEMENT THAT IT SHALL BE TREATED AS A CONFIDENTIAL DOCUMENT USED FOR NO OTHER PURPOSE THAN TO AID IN ITS CONSTRUCTION, THAT IT IS TO BE RETURNED UPON REQUEST, AND THAT IT IS NOT TO BE DISCLOSED OR COPIED EXCEPT AS AUTHORIZED IN WRITING BY UNIBLOC HYGIENIC TECHNOLOGIES, LLC.



<b>DRAWN</b>	JH	4/12/21
<b>CHECKED</b>		
<b>APP'D</b>		
<b>SCALE</b>		

<b>DWG. TITLE</b>		
<b>#52-#53A SIGHT GLASSES</b>		
<b>SIZE</b>	<b>DWG. NO.</b>	<b>REV. NO.</b>
<b>52-53A</b>	<b>D5253A</b>	<b>1</b>
<b>RELEASE DATE</b>	<b>FEB. 28, 2023</b>	
<b>SHEET 1 OF 2</b>		

ALL DIMENSIONS IN MM, [IN]

